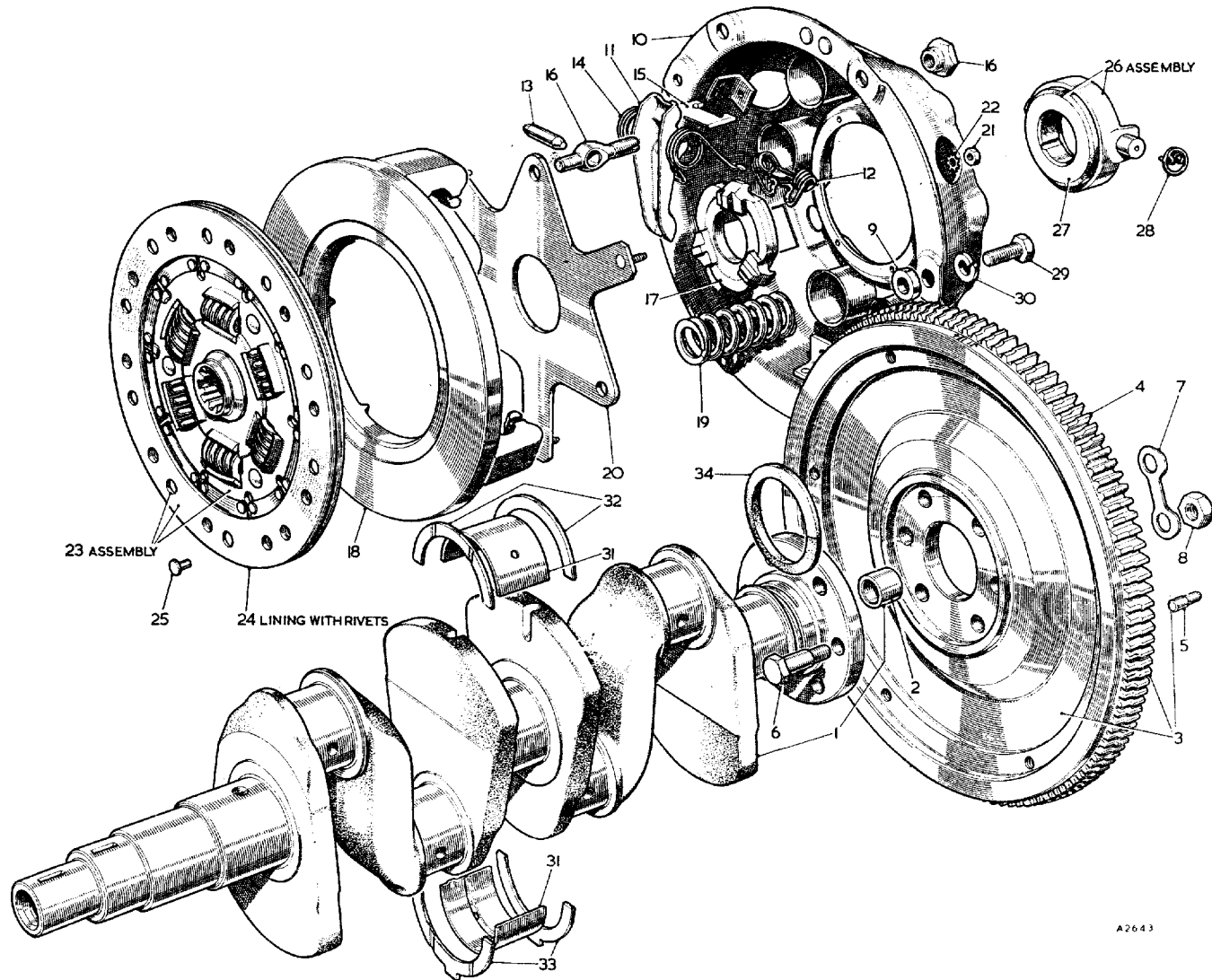


SERVICE PARTS LIST

THE M.G. Series MGA TWIN CAM

Item No.	DESCRIPTION	Commencing (E) 101		Qty. per Vehicle		Unit of Issue	Type of Vehicle	MODIFICATIONS			REMARKS
		Part Number	Illus. No.	RHD	LHD			New Part Number	Change Point	Amdt. No.	
	ENGINE										
	ENGINE UNIT										
1	Stripped engine (R)	AEH37		1	1						
2	Half-engine	AEH36		1	1						
3	Block assembly—cylinder	AEH35	A1	1	1						
4	Plug for core hole	AEH592	A2	4	4						
5	Plug for oil gallery	1H813	A3	1	1						
6	Plug for oil filter boss	11G14	A4	1	1						
7	Plug for oil relief valve hole	6K899	A5	2	2						
8	Plug for crankcase oil hole (taper)	6K874	A6	2	2						
9	Plug for oil gallery	2K8623	A7	3	3						
10	Plug for oil hole (screwed)	2K4992	A8	1	1						
11	Washer for plug	6K638	A9	1	1	12					
12	Stud for cylinder head	AEH549	A10	10	10						
13	Stud for main bearing cap	51K894	A11	6	6						
14	Washer for stud (spring)	LWN208	A12	6	6						
15	Nut for stud	LNN208	A13	6	6						
16	Stud for oil pump	AEH601	A14	3	3						
17	Washer for stud (plain)	PWN105	A15	3	3	12					
18	Washer for stud (spring)	2K5319	A16	3	3						
19	Nut for stud	FNN105	A17	3	3						
20	Stud for tachometer drive housing	CLS2511	A18	2	2						
21	Washer for stud (plain)	PWZ105	A19	2	2						
22	Washer for stud (spring)	LWZ205	A20	2	2	24					
23	Nut for stud	FNZ105	A21	2	2						
24	Plate—blanking	1G2443	A22	1	1						
25	Joint for plate	1G2444	A23	1	1	12					
26	Stud for plate	53K257	A24	2	2						
27	Washer for stud (spring)	LWZ205	A25	2	2	24					
28	Nut for stud	FNZ105	A26	2	2						
29	Dowel for engine rear plate	1G752	A27	2	2						
30	Dowel for engine front plate	AEH307	A28	1	1						
31	Dowel for engine front plate and timing case	AEH308	A29	1	1						
32	Tap—water drain	3H576	A30	1	1						
33	Washer for tap	2K4954	A31	1	1	36					
34	Washer for tap	2K4975		1	1] Alternatives
35	Liner for half-speed shaft	8G2176	A32	1	1						
36	Cap for main bearing (front)	N.S.P.	A33								
37	Cap for main bearing (centre)	N.S.P.	A34								
38	Cap for main bearing (rear)	N.S.P.	A35								
39	Joint for front and rear main bearing caps	1H353	A36	2	2	12					
40	Piston assembly (standard)	AEH554	A37	4	4						
							AEH616	Com. (E) 446] For all replacements AEH673 must be used
							AEH640	Com. (E) 606			
							AEH673	Com. (E) 2057			
41	Ring—compression (chrome)	AEH556	A38	4	4						
42	Ring—compression (taper)	AEH557	A39	8	8						
43	Ring—scraper	AEH558	A40	4	4						
44	Ring—twin segment scraper			4	4						
							AEH615	Fin. (E) 445] For all replacements AEH672 must be used
							AEH672	Com. (E) 446			
45	Pin—gudgeon	AEH441	A41	4	4						
46	Circlip	CCN214	A42	8	8						Correction. Was AEC785



A2643

SERVICE PARTS LIST

THE M.G. Series MGA TWIN CAM

Item No.	DESCRIPTION	Commencing (E) 101		Qty. per Vehicle		Unit of Issue	Type of Vehicle	MODIFICATIONS			REMARKS
		Part Number	Illus. No.	RHD	LHD			New Part Number	Change Point	Amdt. No.	
	CRANKSHAFT, FLYWHEEL, CLUTCH										
1	Crankshaft assembly with flywheel and clutch	AEH44		1	1						
2	Crankshaft with bush	AEH424	AA1	1	1						
3	Bush for drive gear	1G765	AA2	1	1	.12					
4	Flywheel complete (R)	AEH442	AA3	1	1						
5	Ring—starter (Not U.K.)	1G2874	AA4	1	1						
6	Dowel—clutch to flywheel	AEH541	AA5	2	2						
7	Bolt—flywheel to crankshaft	51K1022	AA6	6	6						
8	Washer for bolt (lock)	6K26	AA7	3	3						
9	Nut for bolt	FNZ506	AA8	6	6						
10	Clutch assembly	N.S.P.									
11	Cover assembly—clutch	27H3248		1	1						
12	Washer—distance	AEH650	AA9	6	6						
13	Cover—clutch	N.S.P.	AA10								
14	Lever—release	27H3223	AA11	3	3						
15	Retainer for release lever	7H3001	AA12	3	3	.72					
16	Pin for release lever	7H3067	AA13	3	3	.12					
17	Spring (anti-rattle)	7H3171	AA14	3	3	.36					
18	Strut—release lever	7H3069	AA15	3	3						
19	Eyebolt and nut	27H3157	AA16	3	3						
20	Plate—release lever	7H3213	AA17	1	1	.12					
21	Plate—pressure	27H3224	AA18	1	1						
22	Spring for pressure plate	7H3169	AA19	6	6						
23	Spider assembly	27H3225	AA20	1	1						
24	Nut for spider rivet	17H7448	AA21	3	3						
25	Washer for nut (shakeproof)	AJD7604	AA22	3	3						
26	Plate assembly—driven	27H3241	AA23	1	1						
27	Lining and rivets	8G8349	AA24	1 set	1 set	1					Correction. Was 17H7568
28	Rivet	7H3078	AA25	22	22						
29	Bearing assembly—release	7H3214	AA26	1	1						
30	Bearing	7H3277	AA27	1	1						
31	Retainer—bearing	7H3048	AA28	2	2	.36					
32	Screw—clutch to flywheel	HNS0507	AA29	6	6						
33	Washer for screw (spring)	2K5319	AA30	6	6						
34	Bearing—crankshaft main (standard)	8Q2257	AA31	1 set	1 set	1					
35	Washer—thrust (upper)	1G2331	AA32	2	2	.12					
36	Washer—thrust (lower)	1G2332	AA33	2	2	.12					
37	Seal—crankshaft rear oil	AEH519	AA34	1	1						

