

A2911

To face page H.1

SERVICE PARTS LIST

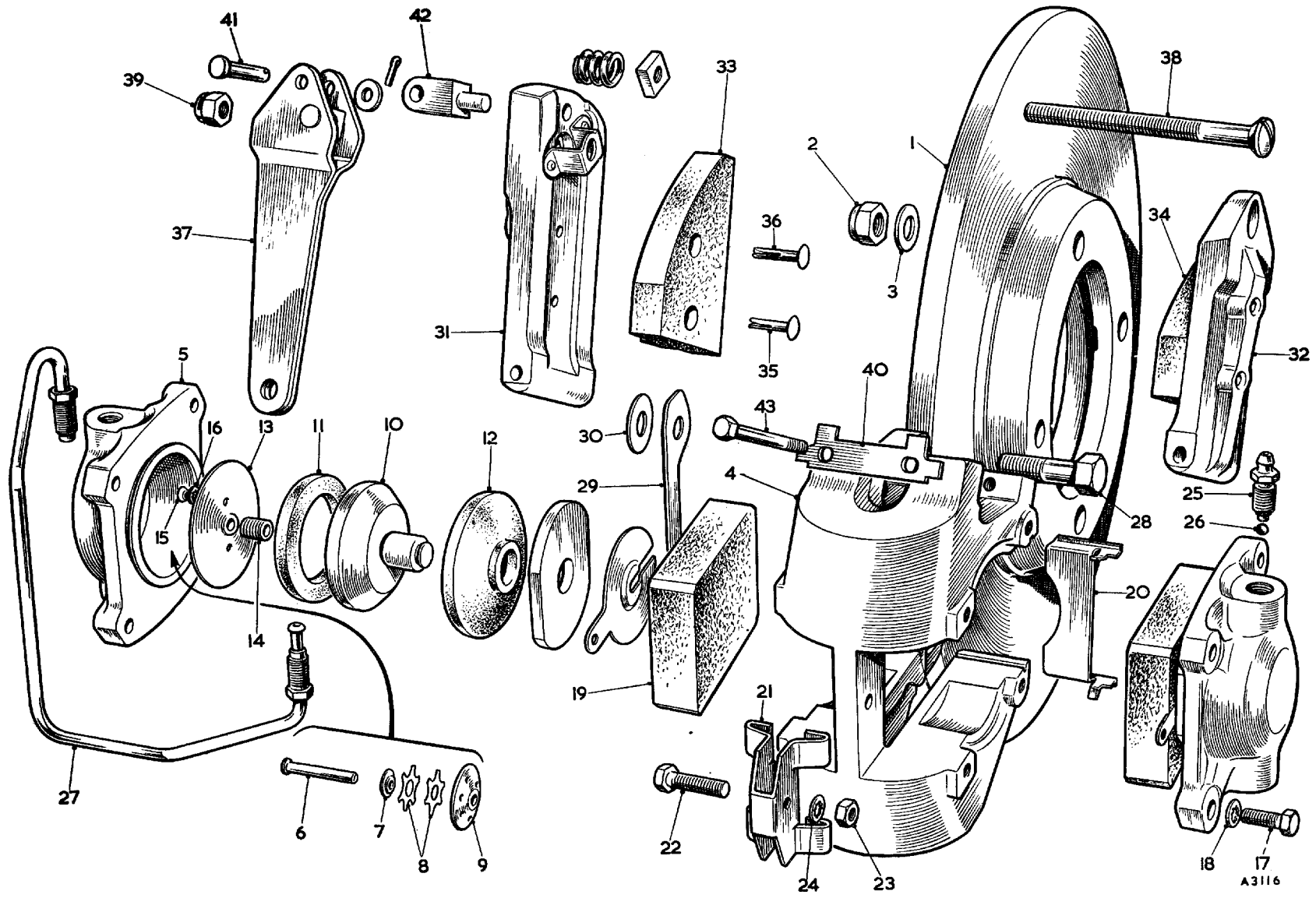
THE M.G. Series MGA TWIN CAM

Item No.	DESCRIPTION	Commencing (C) 501		Qty. per Vehicle		Unit of Issue	Type of Vehicle	MODIFICATIONS			REMARKS
		Part Number	Illus. No.	RHD	LHD			New Part Number	Change Point	Amdt. No.	
	REAR AXLE AND SUSPENSION										
	REAR AXLE										
1	Axle assembly	N.S.P.		1	1						
2	Case assembly	ATB7288	H1	1	1						
3	Nut—bearing retaining (R.H.T.)	1G7448	H2	1	1						
4	Nut—bearing retaining (L.H.T.)	1G7582		1	1						
5	Stud for gear carrier	2A7226	H3	10	10						
6	Nut for rebound spindle	FNZ106	H4	2	2						
7	Washer for bearing retaining nut	1G7584	H5	2	2						
8	Nut—gear carrier to axle case	FNZ105	H6	10	10						
9	Washer for nut	LWZ305	H7	10	10						
10	Plug—drain	6K499	H8	1	1						
11	Plug—filler	6K499	H9	1	1						
12	Breather assembly	1G3668	H10	1	1						
13	Joint—gear carrier to axle case	1G7465	H11	1	1	12					
14	Differential assembly	ATB7189		1	1			ATB7283	Com. (C) 2371		
15	Carrier assembly	ATB7181	H12	1	1						
16	Stud for bearing cap	51K886	H13	4	4						
17	Washer for bearing cap (plain)	ATC7084	H14	4	4						
18	Washer for bearing cap (spring)	LWN307	H15	4	4						
19	Nut for stud	FNN107	H16	4	4						
20	Bearing—differential	2K8938	H17	2	2] Alternatives
21	Bearing—differential	2K6544		2	2						
22	Washer—bearing packing (.002")	2K7993	H18	A/R	A/R						
23	Washer—bearing packing (.003")	ATB7239		A/R	A/R						
24	Washer—bearing packing (.004")	2K7435		A/R	A/R						
25	Washer—bearing packing (.006")	6K503		A/R	A/R						
26	Washer—bearing packing (.010")	1G7600		A/R	A/R						
27	Cage—differential	ATB7062	H19	1	1						
28	Wheel—differential	ATB7122	H20	2	2			ATB7292	Com. (C) 2371		
29	Washer for gear (thrust)	ATB7072	H21	2	2						
30	Pinion—differential	ATB7123	H22	2	2						
31	Washer for pinion (thrust)	1G7445	H23	2	2						
32	Pin for pinion	1G7444	H24	1	1						
33	Peg for pinion pin	6K842	H25	1	1						
34	Crown wheel and pinion	ATB7156	H26	1	1						
35	Bolt—crown wheel to cage	ATA7043	H27	8	8						
36	Washer for bolt (lock)	6K875	H28	4	4						
37	Washer—pinion thrust (.126")	ATB7064	H29	1	1						
38	Washer—pinion thrust (.124")	ATB7065		1	1] One used of selected size
39	Washer—pinion thrust (.122")	ATB7066		1	1						
40	Washer—pinion thrust (.120")	ATB7067		1	1						
41	Washer—pinion thrust (.118")	ATB7068		1	1						
42	Washer—pinion thrust (.116")	ATB7069		1	1						
43	Washer—pinion thrust (.114")	ATB7070		1	1						
44	Washer—pinion thrust (.110")	ATB7071		1	1						
45	Bearing—pinion (inner)	6K287	H30	1	1						
46	Spacer for bearing	1B7240	H31	1	1						
47	Bearing—pinion (outer)	2A7213	H32	1	1						

SERVICE PARTS LIST

THE M.G. Series MGA TWIN CAM

Item No.	DESCRIPTION	Commencing (C) 501		Qty. per Vehicle		Unit of Issue	Type of Vehicle	MODIFICATIONS			REMARKS
		Part Number	Illus. No.	RHD	LHD			New Part Number	Change Point	Amdt. No.	
	Rear Axle—continued										
1	Shim—outer bearing (.004")	ATB7102	H33	A/R	A/R						
2	Shim—outer bearing (.006")	ATB7103		A/R	A/R						
3	Shim—outer bearing (.008")	ATB7104		A/R	A/R						
4	Shim—outer bearing (.010")	ATB7105		A/R	A/R						
5	Shim—outer bearing (.012")	ATB7106		A/R	A/R						
6	Shim—outer bearing (.020")	ATB7107		A/R	A/R						
7	Shim—outer bearing (.030")	ATB7108		A/R	A/R						
8	Seal—oil	ATA7047	H34	1	1						
9	Cover—dust	1G7439	H35	1	1						
10	Flange—universal joint	ATB7059	H36	1	1						
11	Nut for pinion	FNZ612	H37	1	1						
12	Washer for nut (spring)	LWZ212	H38	1	1						
13	Plate—adaptor—R.H.	ATB7256	H39	1	1						
14	Plate—adaptor—L.H.	ATB7257		1	1						
15	Bolt—adaptor plate to axle case	ATB7258	H40	8	8						
16	Nut for bolt	FNZ106	H41	8	8						
17	Washer for nut (spring)	LWZ206	H42	8	8						
18	Cover—dust	ATB7269	H43	2	2						
19	Housing assembly—bearing	ATB7246	H44	2	2						
20	Stud—disc plate to housing	ATB7248	H45	8	8						
21	Stud—extension to housing	ATB7249	H46	8	8						
22	Gasket hub extension	ATB7255	H47	2	2						
23	Shaft—axle	ATB7206	H48	2	2						
24	Hub extension—R.H.	ATB7252	H49	1	1		ATB7386	Com. (C) 2371			
25	Hub extension—L.H.	ATB7253		1	1						
26	Plug—welch	2K8160	H50	2	2						
27	Nut—pinnacle	ATB7268	H51	8	8						
28	Seal—oil	8G555	H52	2	2						
29	Bearing for hub	2K7477	H53	2	2						



SERVICE PARTS LIST

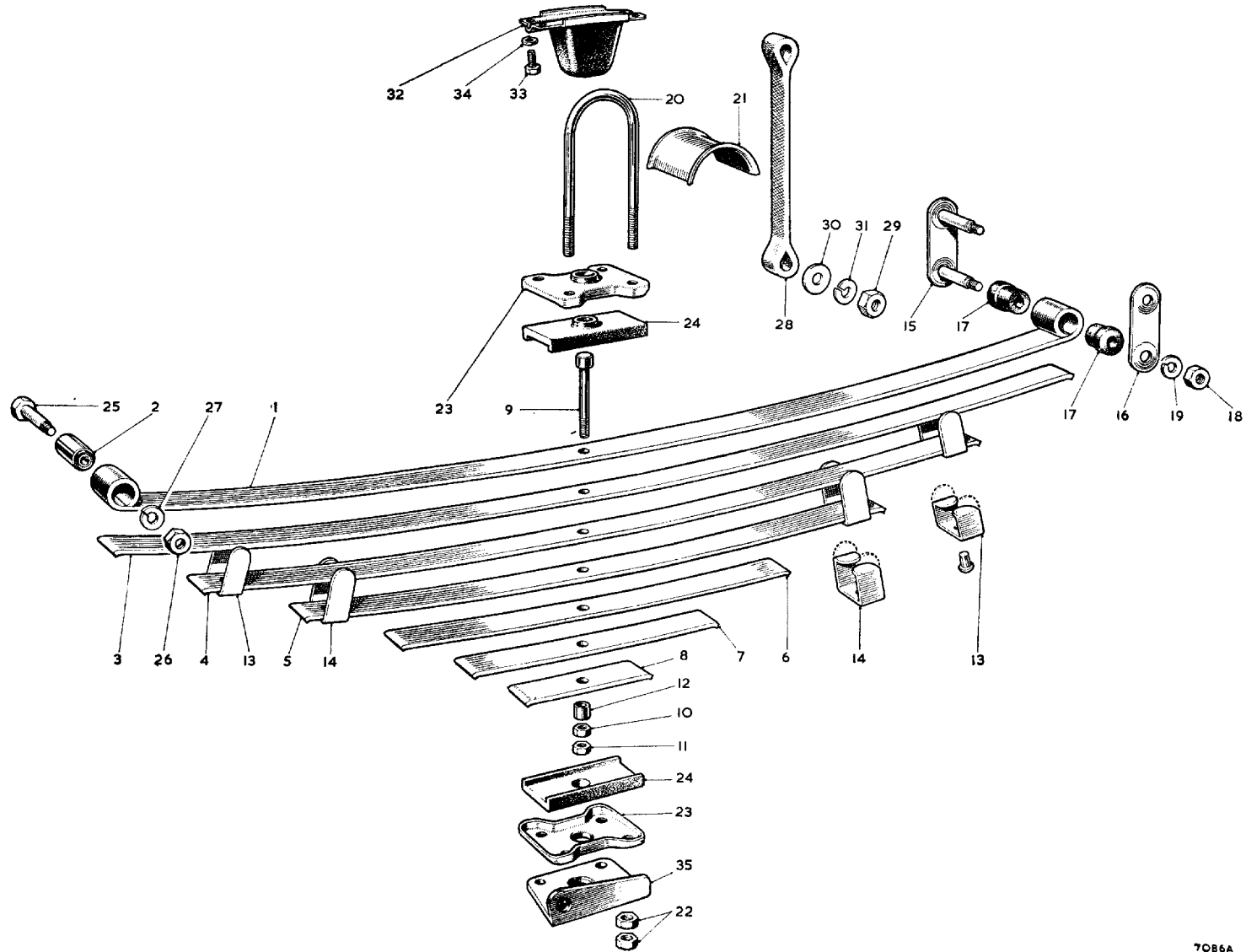
THE M.G. Series MGA TWIN CAM

Item No.	DESCRIPTION	Commencing (C) 501		Qty. per Vehicle		Unit of Issue	Type of Vehicle	MODIFICATIONS			REMARKS
		Part Number	Illus. No.	RHD	LHD			New Part Number	Change Point	Amdt. No.	
	BRAKES										
1	Disc—brake	ATB7254	HA1	2	2						
2	Nut—pinnacle—disc to housing	ATB7265	HA2	8	8						
3	Washer for nut (plain)	PWZ106	HA3	8	8						
4	Calliper unit assembly—R.H.	7H8215		1	1			7H8258] Com. (C) 836 approx.		
5	Calliper unit assembly—L.H.	7H8217		1	1			7H8259			
6	Calliper—R.H.	7H8263	HA4	1	1						
7	Calliper—L.H.	7H8262		1	1						
8	Cylinder assembly	7H8216		4	4			7H8253	Com. (C) 836 approx.		
9	Cylinder		HA5	4	4						
10	Pin—retractor		HA6	4	4						
11	Bush—retractor stop		HA7	4	4						
12	Washer (spring)		HA8	8	8						
13	Cap		HA9	4	4						
14	Piston assembly	7H8218		4	4			7H8260	Com. (C) 836 approx.		
15	Piston		HA10	4	4						
16	Seal—piston		HA11	4	4						
17	Seal—dust		HA12	4	4						
18	Plate		HA13	4	4						
19	Bush—retractor	7H8212	HA14	4	4						
20	Screw—plate to piston	AJD4802N	HA15	8	8						
21	Washer for screw (shakeproof)		HA16	8	8			7H8222	Com. (C) 836 approx.		
22	Bolt—cylinder to calliper	7H8206	HA17	16	16						
23	Washer for bolt (shakeproof)	7H8207	HA18	16	16						
24	Pad assembly—friction	7H8201	HA19	4	4						
25	Plate—support	7H8202	HA20	4	4						
26	Plate—keep	7H8203	HA21	2	2						
27	Bolt for keep plate	7H8204	HA22	2	2			HZS0407	Com. (C) 836 approx.		
28	Nut for bolt	FNZ104	HA23	2	2						
29	Washer for nut (shakeproof)	7H8207	HA24	2	2						
30	Screw—bleed	7H8252	HA25	2	2						
31	Ball for bleed screw	BLS106	HA26	2	2						
32	Pipe—bridge—R.H.	7H8208	HA27	1	1			7H8254] Com. (C) 836 approx.		
33	Pipe—bridge—L.H.	7H8205		1	1			7H8255			
34	Bolt—calliper to adaptor plate	ATB4247	HA28	4	4						
35	Plate—lock	ATB7259	HA29	2	2						
36	Shim—calliper to adaptor plate (.003")	ATB7262	HA30	A/R	A/R						
37	Shim—calliper to adaptor plate (.005")	ATB7263		A/R	A/R						
38	Shim—calliper to adaptor plate (.020")	ATB7264		A/R	A/R						

SERVICE PARTS LIST

THE M.G. Series MGA TWIN CAM

Item No.	DESCRIPTION	Commencing (C) 501		Qty. per Vehicle		Unit of Issue	Type of Vehicle	MODIFICATIONS			REMARKS
		Part Number	Illus. No.	RHD	LHD			New Part Number	Change Point	Amdt. No.	
	Brakes—continued										
1	Brake assembly—hand R.H.	7H8239		1	1						
2	Brake assembly—hand—L.H.	7H8247		1	1						
3	Pad carrier assembly—inner—R.H.		HA31	1	1] Not supplied separately. Items included in assembly
4	Pad carrier assembly—outer—R.H.		HA32	1	1						
5	Pad carrier assembly—inner—L.H.			1	1] Not supplied separately. Items included in kit set 8G8197
6	Pad carrier assembly—outer—L.H.			1	1						
7	Pad—friction (R.H. inner and L.H. outer)		HA33	2	2						
8	Pad—friction (R.H. outer and L.H. inner)		HA34	2	2						
9	Rivet—bifurcated (short)	7H8250	HA35	4	4						
10	Rivet—bifurcated (long)	7H8251	HA36	4	4						
11	Lever assembly—operating	7H8240	HA37	2	2						
12	Bolt—lever to carrier	7H8241	HA38	2	2						
13	Nut (self-locking)	7H8242	HA39	2	2						
14	Washer (tab)	7H8243	HA40	2	2						
15	Pin—clevis	7H8244	HA41	2	2						
16	Seat—pivot	7H8246	HA42	2	2						
17	Bolt—pad calliper to calliper unit	7H8245	HA43	4	4						
18	Kit—calliper repair	8G8195		2 sets	2 sets	1					
19	Seal—piston			2	2						
20	Seal—dust			2	2						
21	Kit—friction pad replacement	8G8197		2 sets	2 sets	1					
22	Pad—friction (R.H. inner and L.H. outer)			2	2						
23	Pad—friction (R.H. outer and L.H. inner)			2	2						
24	Rivet—bifurcated (short)			4	4						
25	Rivet—bifurcated (long)			4	4						



7086A