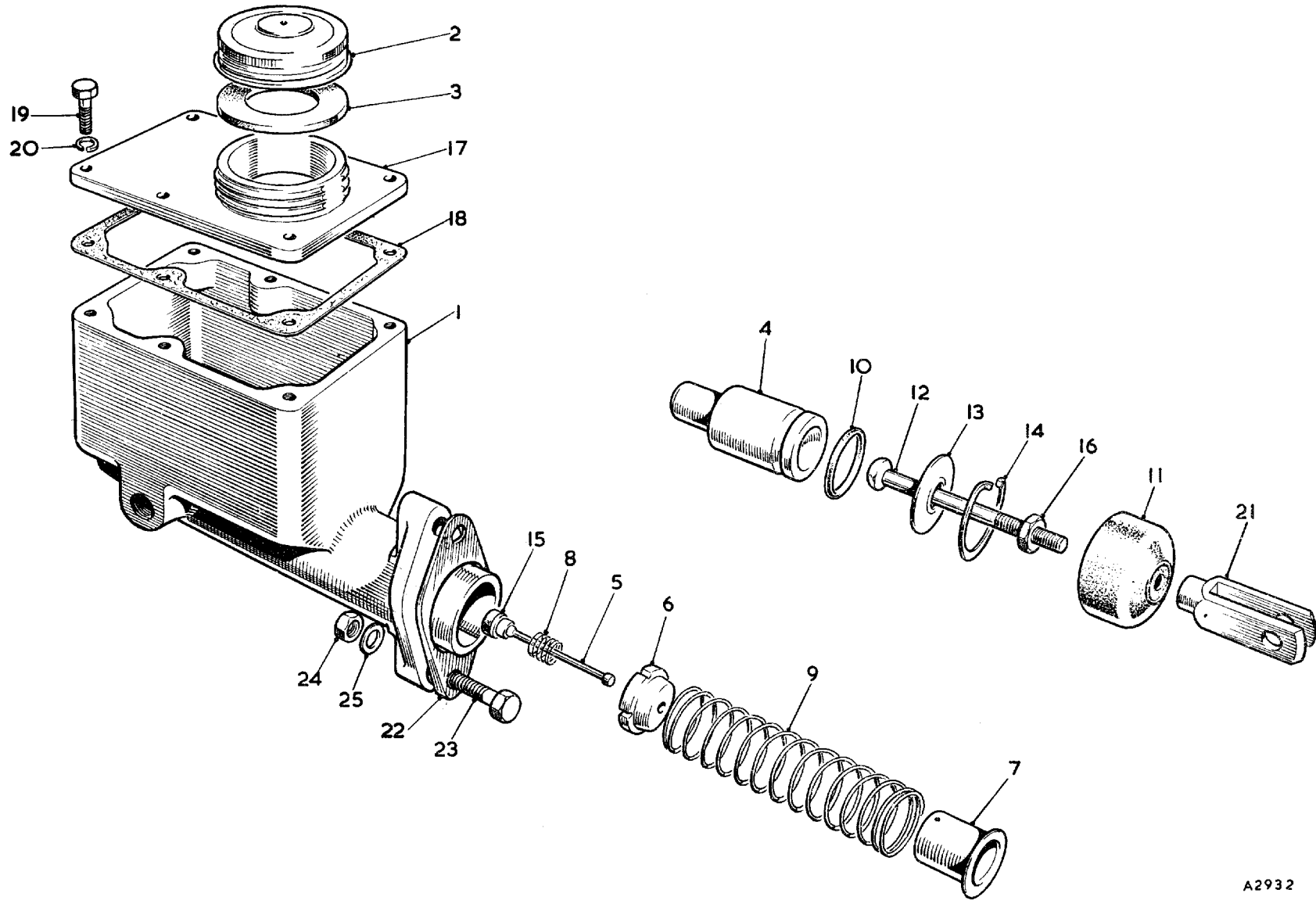


A2970

SERVICE PARTS LIST

THE M.G. Series MGA TWIN CAM

| Item No. | DESCRIPTION | Commencing (C) 501 | | Qty. per Vehicle | | Unit of Issue | Type of Vehicle | MODIFICATIONS | | | REMARKS |
|----------|---------------------------------|--------------------|------------|------------------|----------|---------------|-----------------|-----------------|---------------------|-----------|---------|
| | | Part Number | Illus. No. | RHD | LHD | | | New Part Number | Change Point | Amdt. No. | |
| | BRAKE CONTROLS | | | | | | | | | | |
| 1 | Pedal—brake | AHH5693 | M1 | 1 | | | | | | | |
| 2 | Pedal—brake | AHH5695 | | | 1 | | | | | | |
| 3 | Bush | 185794 | M2 | 1 | 1 | | | | | | |
| 4 | Pad—pedal (rubber) | AHH5100 | M3 | 1 | 1 | | | | | | |
| 5 | Distance piece—pedal | 185795 | M4 | 2 | 2 | | | | | | |
| 6 | Distance washer—pedal | AHH5728 | M5 | 1 | 1 | | | | | | |
| 7 | Bolt—pedal to bracket | HBZ0628 | M6 | 1 | 1 | | | | | | |
| 8 | Nut for bolt | FNZ106 | M7 | 1 | 1 | | | | | | |
| 9 | Washer for nut (spring) | LWZ206 | M8 | 1 | 1 | | | | | | |
| 10 | Distance tube—pedal stop | AHH5692 | M9 | 1 | 1 | | | | | | |
| 11 | Rod—distance tube | AHH5752 | M10 | 1 | 1 | | | | | | |
| 12 | Nut for rod | FNZ104 | M11 | 2 | 2 | | | | | | |
| 13 | Washer for nut (spring) | LWZ204 | M12 | 2 | 2 | 12 | | | | | |
| 14 | Clevis pin—brake pedal | CLZ0515 | M13 | 1 | 1 | | | | | | |
| 15 | Washer for pin (plain) | PWZ105 | M14 | 1 | 1 | | | | | | |
| 16 | Spring—pedal pull-off | 130154 | M15 | 1 | 1 | 6 | | | | | |
| 17 | Fume excluder—pedal | AHH5689 | M16 | 1 | 1 | | | | | | |
| 18 | Cover-plate—fume excluder | AHH5688 | M17 | 1 | 1 | | | | | | |
| 19 | Base plate assembly—box | AHH5687 | M18 | 1 | 1 | | | | | | |
| 20 | Screw—plate to cross-bar | HPZ0506 | M19 | 2 | 2 | | | | | | |
| 21 | Washer for screw (spring) | LWZ205 | M20 | 2 | 2 | 24 | | | | | |
| 22 | Screw—cover-plate to base plate | HZS0506 | M21 | 2 | 2 | | | | | | |
| 23 | Nut for screw | FNZ105 | M22 | 2 | 2 | | | | | | |
| 24 | Washer for nut (spring) | LWZ205 | M23 | 2 | 2 | 24 | | | | | |
| 25 | Support bracket—R.H. | AHH5691 | M24 | 1 | 1 | | | | | | |
| 26 | Support bracket—L.H. | AHH5690 | M25 | 1 | 1 | | | | | | |
| 27 | Screw—bracket to tapping plate | HZS0505 | M26 | 4 | 4 | | | | | | |
| 28 | Washer for screw (spring) | LWZ205 | M27 | 4 | 4 | 24 | | | | | |
| 29 | Box—master cylinder | AHH5684 | M28 | 1 | 1 | | | | | | |
| 30 | Screw—box to bulkhead | HZS0506 | M29 | 2 | 2 | | | AHH5877 | Com. (C) 997 | | |
| 31 | Nut for screw | FNZ105 | M30 | 2 | 2 | | | | | | |
| 32 | Washer for nut (plain) | PWZ205 | M31 | 2 | 2 | | | | | | |
| 33 | Washer for nut (spring) | LWZ205 | M32 | 2 | 2 | 24 | | | | | |
| 34 | Screw—box to bracket | HZS0506 | M33 | 6 | 6 | | | | | | |
| 35 | Nut for screw | FNZ105 | M34 | 6 | 6 | | | | | | |
| 36 | Washer for nut (spring) | LWZ205 | M35 | 6 | 6 | 24 | | | | | |
| 37 | Reinforcement piece—box | AHH5685 | M36 | 1 | 1 | | | AHH5876 | Com. (C) 997 | | |
| 38 | Blanking plate | AHH5753 | M37 | 1 | 1 | | | | | | |
| 39 | Seal—blanking plate (rubber) | AHH5754 | M38 | 1 | 1 | | | | | | |
| 40 | Screw fixing blanking plate | HPZ0508 | M39 | 2 | 2 | | | | | | |
| 41 | Screw fixing blanking plate | HZS0506 | M40 | 2 | 2 | | | | | | |
| 42 | Nut for screw | FNZ105 | M41 | 2 | 2 | | | | | | |
| 43 | Washer for screw (spring) | LWZ205 | M42 | 4 | 4 | 24 | | | | | |

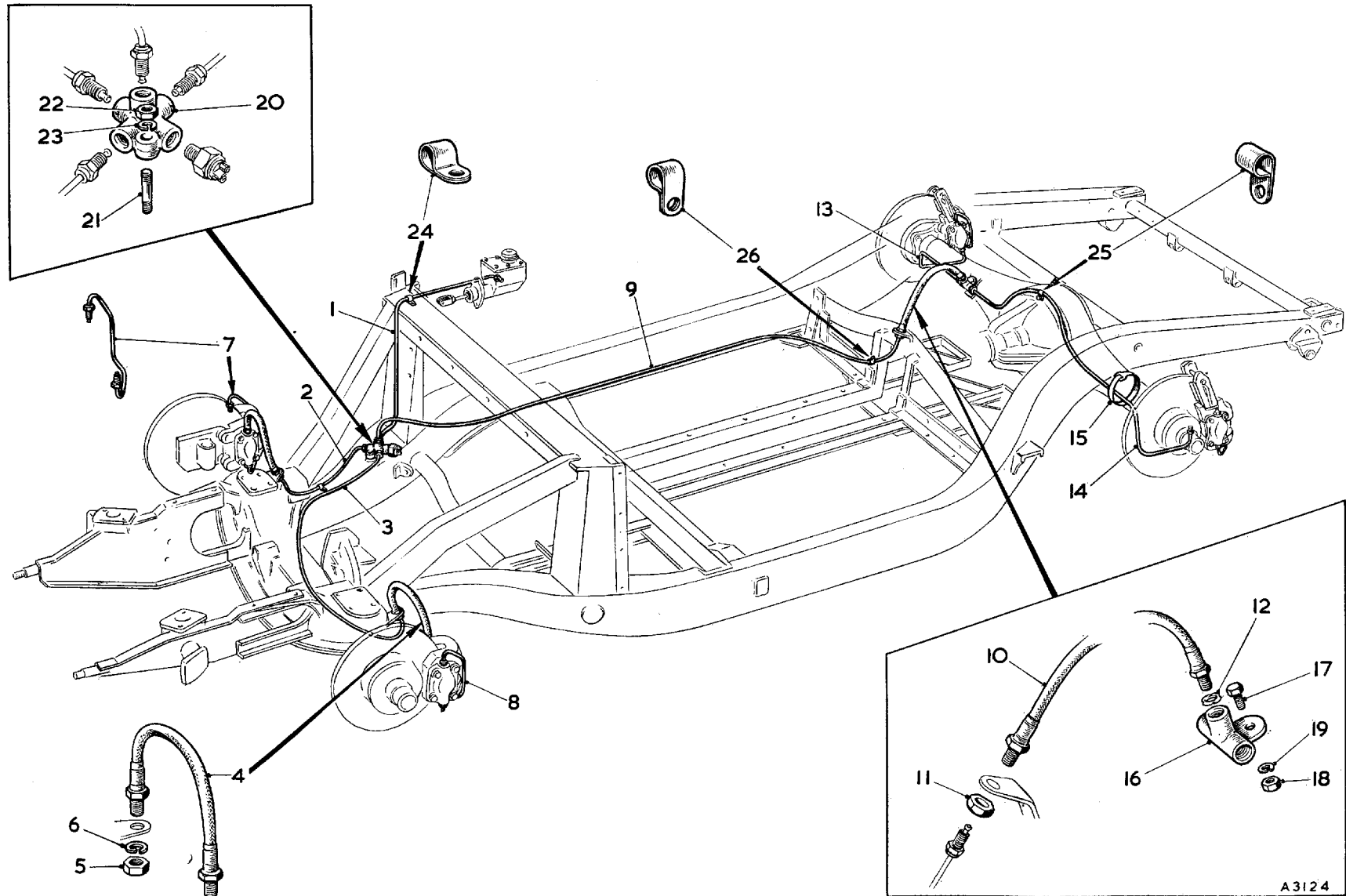


A2932

SERVICE PARTS LIST

THE M.G. Series MGA TWIN CAM

| Item No. | DESCRIPTION | Commencing (C) 501 | | Qty. per Vehicle | | Unit of Issue | Type of Vehicle | MODIFICATIONS | | | |
|----------|--|--------------------|------------|------------------|-----|---------------|-----------------|-----------------|------------------------------|-----------|---------|
| | | Part Number | Illus. No. | RHD | LHD | | | New Part Number | Change Point | Amdt. No. | REMARKS |
| | | | | | | | | | | | |
| | BRAKE MASTER CYLINDER | | | | | | | | | | |
| 1 | Cylinder and supply tank assembly | BHA4071 | | 1 | 1 | | | | | | |
| 2 | Body | N.S.P. | MA1 | 1 | 1 | | | | | | |
| 3 | Cap | 7H8223 | MA2 | 1 | 1 | | | | | | |
| 4 | Washer for cap | 7H8224 | MA3 | 1 | 1 | | | | | | |
| 5 | Piston | 7H8225 | MA4 | 1 | 1 | | | | | | |
| 6 | Valve | 7H8226 | MA5 | 1 | 1 | | | | | | |
| 7 | Spring support—rear end | 7H8227 | MA6 | 1 | 1 | | | | | | |
| 8 | Spring support—front end | 7H8228 | MA7 | 1 | 1 | | | | | | |
| 9 | Spring—valve | 7H8229 | MA8 | 1 | 1 | | | | | | |
| 10 | Spring—main | 7H8230 | MA9 | 1 | 1 | | | | | | |
| 11 | Seal—piston | 7H8236 | MA10 | 1 | 1 | | | | | | |
| 12 | Dust excluder | 7H8237 | MA11 | 1 | 1 | | | | | | |
| 13 | Push-rod | 7H8231 | MA12 | 1 | 1 | | | | | | |
| 14 | Washer | 7H8232 | MA13 | 1 | 1 | | | | | | |
| 15 | Circlip | 7H8233 | MA14 | 1 | 1 | | | | | | |
| 16 | Rubber seal and bush | 7H8238 | MA15 | 1 | 1 | | | | | | |
| 17 | Locknut for push-rod | FNZ205 | MA16 | 1 | 1 | | | | | | |
| 18 | Cover | N.S.P. | MA17 | 1 | 1 | | | | | | |
| 19 | Gasket | 7H8235 | MA18 | 1 | 1 | | | | | | |
| 20 | Screw | AJD1021 | MA19 | 6 | 6 | | | | | | |
| 21 | Washer (spring) | AJD7612 | MA20 | 6 | 6 | | | | | | |
| 22 | Grease for rubber | 7H8234 | | 1 | 1 | | | | | | |
| 23 | Service kit for master cylinder | 8G8196 | | 1 | 1 | | | | | | |
| 24 | Seal—piston | | | 1 | 1 | | | | | | |
| 25 | Dust excluder | | | 1 | 1 | | | | | | |
| 26 | Rubber seal and bush | | | 1 | 1 | | | | | | |
| 27 | Grease for rubber | | | 1 | 1 | | | | | | |
| 28 | Fork end | FEZ105 | MA21 | 1 | 1 | | | | | | |
| 29 | Taper packing—master cylinder | AHH5874 | MA22 | 2 | 2 | | | | | | |
| 30 | Bolt fixing master cylinder | HZS0513 | MA23 | 2 | 2 | | | HZS0510 | Fin. (C) 996 Com. (C) 997 | | |
| 31 | Nut for bolt | LNZ205 | MA24 | 2 | 2 | | | | | | |
| 32 | Washer for nut (plain) | PWZ105 | MA25 | 2 | 2 | | | | | | |



SERVICE PARTS LIST

THE M.G. Series MGA TWIN CAM

| Item No. | DESCRIPTION | Commencing (C) 501 | | Qty. per Vehicle | | Unit of Issue | Type of Vehicle | MODIFICATIONS | | | REMARKS |
|----------|---|--------------------|------------|------------------|-----|---------------|-----------------|-----------------|--------------|-----------|---------|
| | | Part Number | Illus. No. | RHD | LHD | | | New Part Number | Change Point | Amdt. No. | |
| | HYDRAULIC PIPES AND FITTINGS | | | | | | | | | | |
| 1 | Pipe—master cylinder to 5-way connection (29") | AHH5769 | MB1 | 1 | | | | | | | |
| 2 | Pipe—master cylinder to 5-way connection (49½") | AHH5770 | | | 1 | | | | | | |
| 3 | Pipe—5-way connection to R.H. front hose (17½") | AHH5763 | MB2 | 1 | 1 | | | | | | |
| 4 | Pipe—5-way connection to L.H. front hose (43½") | AHH5764 | MB3 | 1 | 1 | | | | | | |
| 5 | Hose—front | AHH5773 | MB4 | 2 | 2 | | | | | | |
| 6 | Locknut—hose | FNZ206 | MB5 | 4 | 4 | | | | | | |
| 7 | Washer for locknut (spring) | LWZ206 | MB6 | 4 | 4 | | | | | | |
| 8 | Bridge pipe—front hose to brake R.H. | AHH5806 | MB7 | 1 | 1 | | | | | | |
| 9 | Bridge pipe—front hose to brake L.H. | AHH5807 | MB8 | 1 | 1 | | | | | | |
| 10 | Pipe—5-way connection to rear hose (79½") | AHH5768 | MB9 | 1 | 1 | | | | | | |
| 11 | Hose—rear | AHH5774 | MB10 | 1 | 1 | | | | | | |
| 12 | Locknut—hose | 2K8686 | MB11 | 1 | 1 | | | | | | |
| 13 | Washer for locknut (shakeproof) | LWZ210 | | 1 | 1 | | | | | | |
| 14 | Gasket—rear hose to 3-way | 3H2237 | MB12 | 1 | 1 | | | | | | |
| 15 | Pipe—3-way connection to rear brake R.H. (17½") | AHH5766 | MB13 | 1 | 1 | | | | | | |
| 16 | Pipe—3-way connection to rear brake L.H. (45") | AHH5767 | MB14 | 1 | 1 | | | | | | |
| 17 | Strap—brake pipe to axle | ACH8650 | MB15 | 1 | 1 | | | | | | |
| 18 | 3-way connection | AHH5772 | MB16 | 1 | 1 | | | | | | |
| 19 | Screw—3-way connection and cable clip to axle | HZS0506 | MB17 | 1 | 1 | | | | | | |
| 20 | Nut for screw | FNZ105 | MB18 | 1 | 1 | | | | | | |
| 21 | Washer for nut (spring) | LWZ205 | MB19 | 1 | 1 | 24 | | | | | |
| 22 | 5-way connection | AHH5771 | MB20 | 1 | 1 | | | | | | |
| 23 | Stud for 5-way connection | AHH5875 | MB21 | 1 | 1 | | | | | | |
| 24 | Nut for stud | FNZ104 | MB22 | 1 | 1 | | | | | | |
| 25 | Washer for nut (spring) | LWZ204 | MB23 | 1 | 1 | 12 | | | | | |
| 26 | Clip—brake pipe to master cylinder base plate | PCR0311 | MB24 | 1 | | | | | | | |
| 27 | Clip—brake pipe to bulkhead | PCR0311 | | | 2 | | | | | | |
| 28 | Clip—brake pipe to differential case bolt | PCR0311 | MB25 | 1 | 1 | | | | | | |
| 29 | Clip—brake pipe to battery carrier | PCR0307 | MB26 | 1 | 1 | | | | | | |

