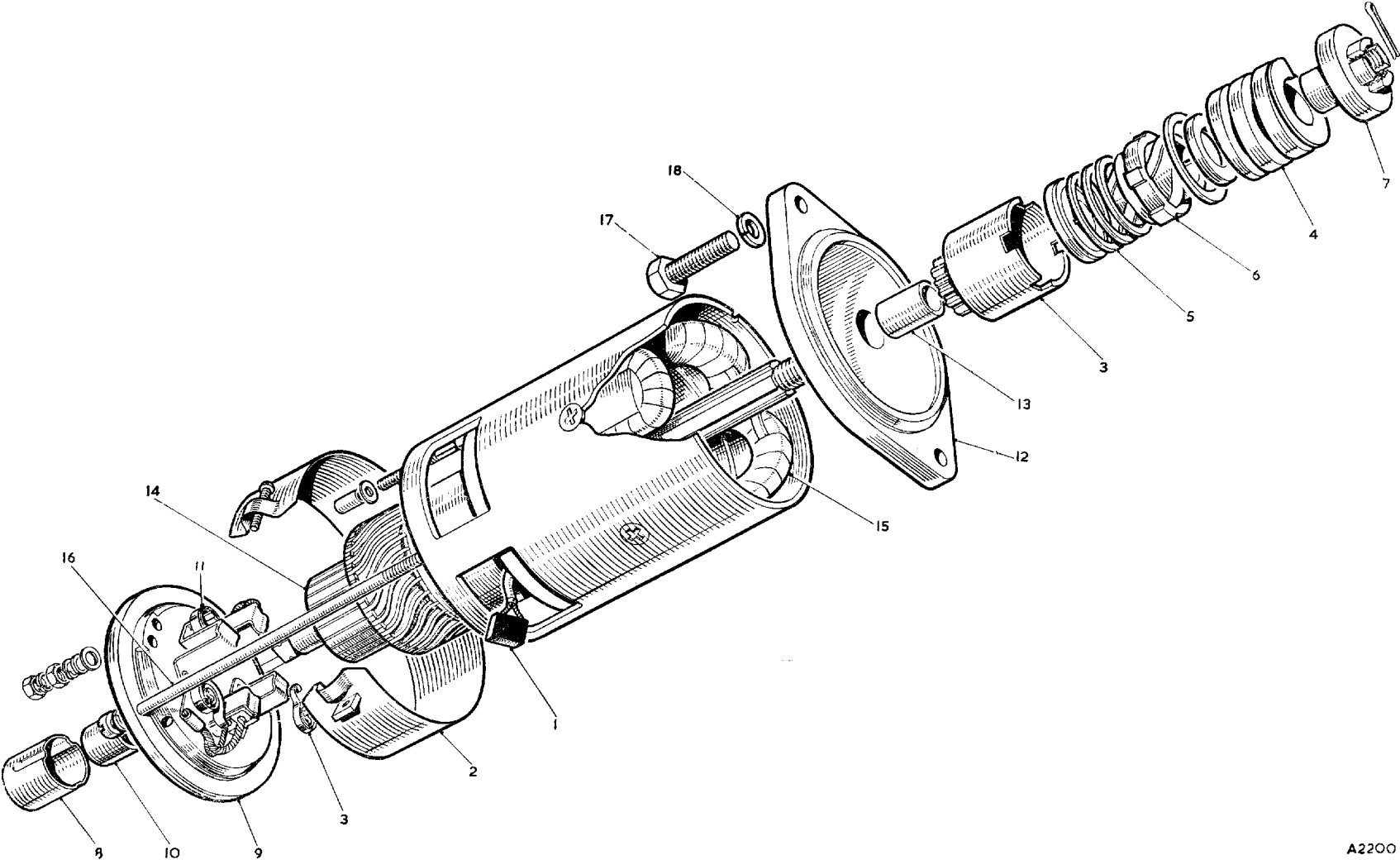




**SERVICE PARTS LIST**

**THE M.G. Series MGA TWIN CAM**

Item No.	DESCRIPTION	Commencing (C) 501		Qty. per Vehicle		Unit of Issue	Type of Vehicle	MODIFICATIONS			REMARKS
		Part Number	Illus. No.	RHD	LHD			New Part Number	Change Point	Amdt. No.	
<b>ELECTRICAL EQUIPMENT</b>											
<b>BATTERY</b>											
1	Battery .....	<b>N.S.P.</b>	<b>N1</b>	2	2						
2	Screw—terminal .....	2K8645	N2	2	2						
3	Clamp—battery .....	AHH5166	N3	2	2						
4	Packing—battery clamp .....	AHH5169	N4	2	2						
5	Bolt—battery fixing (long) .....	AHH5167	N5	2	2						
6	Bolt—battery fixing (short) .....	AHH5168	N6	2	2						
7	Locknut for battery fixing bolt .....	FNZ204	N7	8	8						
8	Pad—battery (rubber) .....	AHH5170	N8	4	4						
9	Cover—battery .....	BHA4140	N9	2	2						
10	Cap nut—cover .....	BHA4147	N10	4	4						
11	Bolt—battery (long) .....	AHH5964	N11	2	2						Optional extra
12	Bolt—battery (short) .....	AHH5963	N12	2	2						
13	Nut for bolt .....	AJD8104Z	N13	4	4						
<b>DYNAMO</b>											
14	Dynamo .....	<b>AEJ12</b>		1	1						<b>Correction. Was 11G220</b>
15	Nut for shaft .....	47H5215	N14	1	1						
16	Washer for nut (spring) .....	LWZ207	N15	1	1						
17	Bearing—drive end .....	97H626	N16	1	1						
18	Bracket assembly—drive end .....	57H5083	N17	1	1						
19	Key for pulley .....	WKN404	N18	1	1						
20	Armature .....	7H5389	N19	1	1						
21	Coils—field .....	7H5071	N20	1 set	1 set	1					
22	Bracket assembly—commutator end .....	57H5082	N21	1	1						
23	Bush for bracket .....	7H5390	N22	1	1						
24	Oiler .....	17H5530	N23	1	1						
25	Spring—brush tension .....	7H5031	N24	1 set	1 set	1					
26	Brush .....	7H5028	N25	1 set	1 set	1					
27	Terminal .....	17H5433	N26	1	1						
28	Bolt—through-fixing .....	17H5217	N27	2	2						
29	Sundry parts .....	7H5376		1 set	1 set	1					

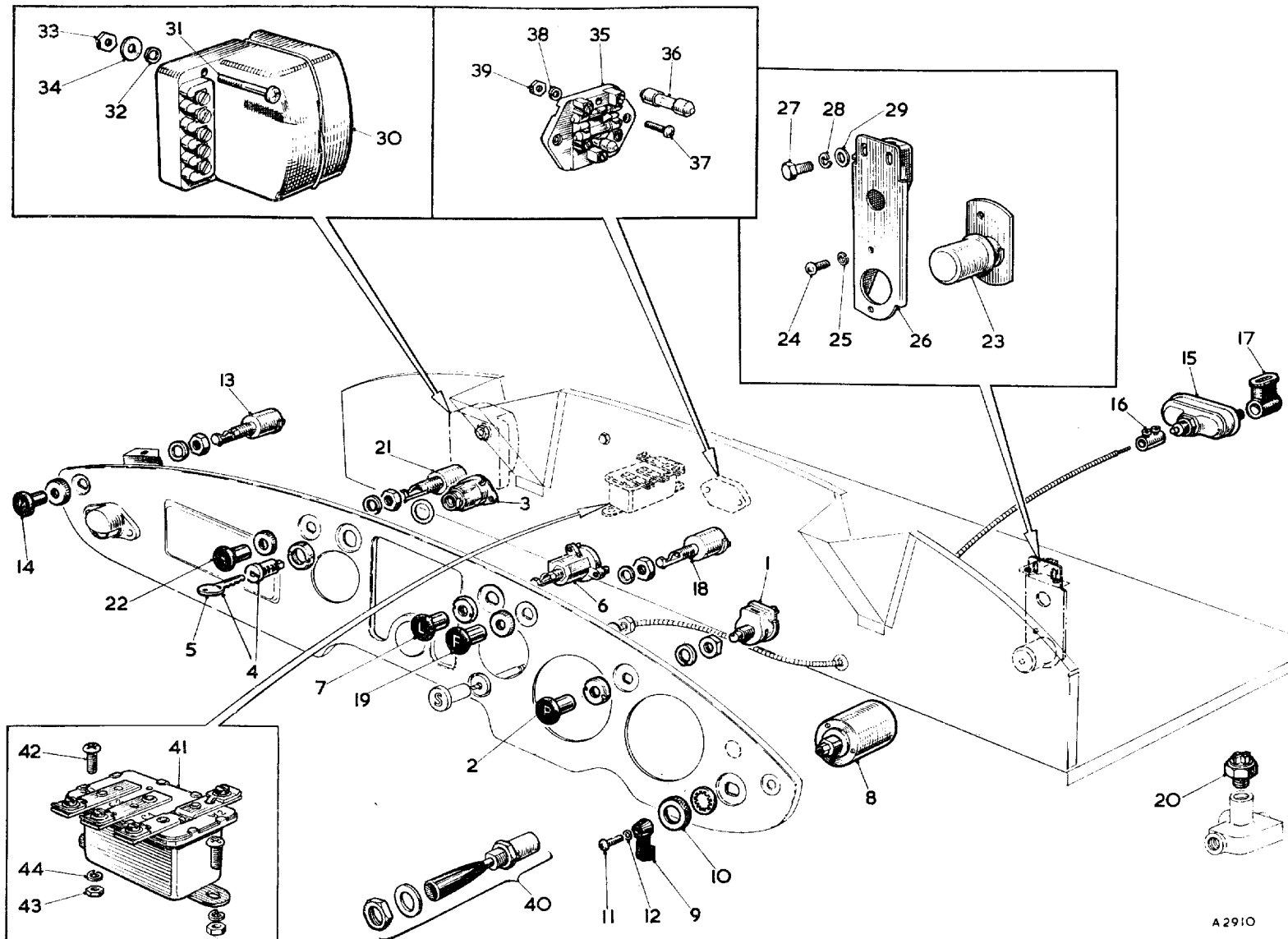


A2200

**SERVICE PARTS LIST**

**THE M.G. Series MGA TWIN CAM**

Item No.	DESCRIPTION	Commencing (C) 501		Qty. per Vehicle		Unit of Issue	Type of Vehicle	MODIFICATIONS			REMARKS
		Part Number	Illus. No.	RHD	LHD			New Part Number	Change Point	Amdt. No.	
	<b>STARTER</b>										
1	<b>Starter</b>	<b>3H952</b>		<b>1</b>	<b>1</b>						
2	Brush	7H5040	NA1	1 set	1 set	1					
3	Band—cover	7H5038	NA2	1	1						
4	Pinion and barrel	7H5046	NA3	1	1						
5	Spring—pinion main	7H5045	NA4	1	1						
6	Spring—pinion return	7H5047	NA5	1	1						
7	Sleeve—screwed (with control nut)	7H5529	NA6	1	1						
8	Nut for shaft	47H5342	NA7	1	1						
9	Cap—shaft	7H5039	NA8	1	1						
10	Bracket assembly—commutator end	7H5041	NA9	1	1						
11	Bush	7H5042	NA10	1	1						
12	Spring—brush tension	7H5043	NA11	1 set	1 set	1					
13	Bracket assembly—drive end	7H5048	NA12	1	1						
14	Bush	7H5049	NA13	1	1						
15	Armature	7H5050	NA14	1	1						
16	Coils—field	7H5051	NA15	1 set	1 set	1					
17	Bolt—through-fixing	17H5444	NA16	2	2						
18	Sundry parts	7H5156		1 set	1 set	1					
19	Screw—starter to engine	53K149	NA17	2	2						
20	Washer for screw (spring)	LWZ206	NA18	2	2						



A 2910

**SERVICE PARTS LIST**

**THE M.G. Series MGA TWIN CAM**

Item No.	DESCRIPTION	Commencing (C) 501		Qty. per Vehicle		Unit of Issue	Type of Vehicle	MODIFICATIONS			REMARKS
		Part Number	Illus. No.	RHD	LHD			New Part Number	Change Point	Amdt. No.	
	<b>SWITCHES</b>										
1	Switch—panel light	<b>47H5188</b>	<b>NB1</b>	1	1						
2	Knob for switch	AHH5368	NB2	1	1						
3	Switch—ignition	<b>AHH5369</b>	<b>NB3</b>	1	1						
4	Lock and key—ignition switch	7H9890	NB4	1	1						
5	Key	ANK4646	NB5	2	2						
6	Switch—head and sidelamp	<b>3H3098</b>	<b>NB6</b>	1	1						
7	Knob for switch	AHH5360	NB7	1	1						
8	Switch—flasher	<b>AMK5607</b>	<b>NB8</b>	1	1						
9	Lever for switch	27H5511	NB9	1	1						
10	Nut fixing flasher switch (knurled)	17H5485	NB10	1	1						
11	Screw fixing lever	17H5483	NB11	1	1						
12	Washer for screw (spring)	17H5484	NB12	1	1						
13	Switch—map-reading lamp	<b>27H5278</b>	<b>NB13</b>	1	1						
14	Knob for switch	AHH5362	NB14	1	1						
15	Switch—starter	<b>3H949</b>	<b>NB15</b>	1	1						
16	Coupling—switch to control	3H950	NB16	1	1						
17	Bootee for terminal	8G548	NB17	2	2						
18	Switch—fog lamp	<b>27H5278</b>	<b>NB18</b>	1	1						
19	Knob for switch	AHH5366	NB19	1	1						
20	Switch—stop lamp	<b>3H1894</b>	<b>NB20</b>	1	1						
21	Switch—windscreen wiper	<b>27H5278</b>	<b>NB21</b>	1	1						
22	Knob for switch	AHH5364	NB22	1	1						
23	Switch—dipper	<b>11G2007</b>	<b>NB23</b>	1	1						
24	Screw—switch to bracket	AJD1243Z	NB24	2	2						
25	Washer for screw (spring)	LWZ203	NB25	2	2						
26	Bracket—dipper switch	AHH5780	NB26	1							
27	Screw—bracket to bulkhead	HZS0405	NB27	3							
28	Washer for screw (spring)	LWZ204	NB28	3		.12					
29	Washer for screw (plain)	PWZ104	NB29	3		.12					
30	Bracket—dipper switch	AHH5347			1			AHH5965	Com. (C) 2281		
31	Screw—bracket to bulkhead	PMZ0308			1						
32	Screw—bracket to bulkhead	CMZ0308			2						
33	Washer for screw (cup)	7722			2						
34	Nut for screw	FNZ108			3						
35	Screw—bracket to goalpost				3			PPZ0310	Com. (C) 2281		
36	Washer for screw (spring)				3			LWZ203			

**SERVICE PARTS LIST**

**THE M.G. Series MGA TWIN CAM**

Item No.	DESCRIPTION	Commencing (C) 501		Qty. per Vehicle		Unit of Issue	Type of Vehicle	MODIFICATIONS			REMARKS
		Part Number	Illus. No.	RHD	LHD			New Part Number	Change Point	Amdt. No.	
	<b>Switches—continued</b>										
1	<b>Box—control</b>	<b>3H1835</b>	<b>NB30</b>	<b>1</b>	<b>1</b>						
2	Screw fixing control box	PMZ0320	NB31	2	2						
3	Washer for screw (spring)	LWZ203	NB32	2	2						
4	Nut for screw	FNZ103	NB33	2	2						
5	Washer (special)	AJD7212	NB34	2	2						
6	<b>Box—fuse</b>	<b>1G2613</b>	<b>NB35</b>	<b>1</b>	<b>1</b>						
7	Fuse (35-amp.)	7H5067	NB36	4	4						
8	Screw fixing fusebox	PMZ0310	NB37	2	2						
9	Washer for screw (spring)	LWZ203	NB38	2	2						
10	Nut for screw	FNZ103	NB39	2	2						
11	<b>Switch—headlamp flasher</b>	<b>(N. AMERICA) BHA4116</b>	<b>NB40</b>	<b>1</b>	<b>1</b>						
12	<b>Relay—headlamp flasher</b>	<b>(N. AMERICA) 3H1911</b>	<b>NB41</b>	<b>1</b>	<b>1</b>						
13	Screw fixing relay	PMZ0808	NB42	2	2						] Optional extra
14	Nut for screw	FNZ103	NB43	2	2						
15	Washer for nut (spring)	LWZ203	NB44	2	2						

