

To face page R.1

SERVICE PARTS LIST

THE M.G. Series MGA TWIN CAM

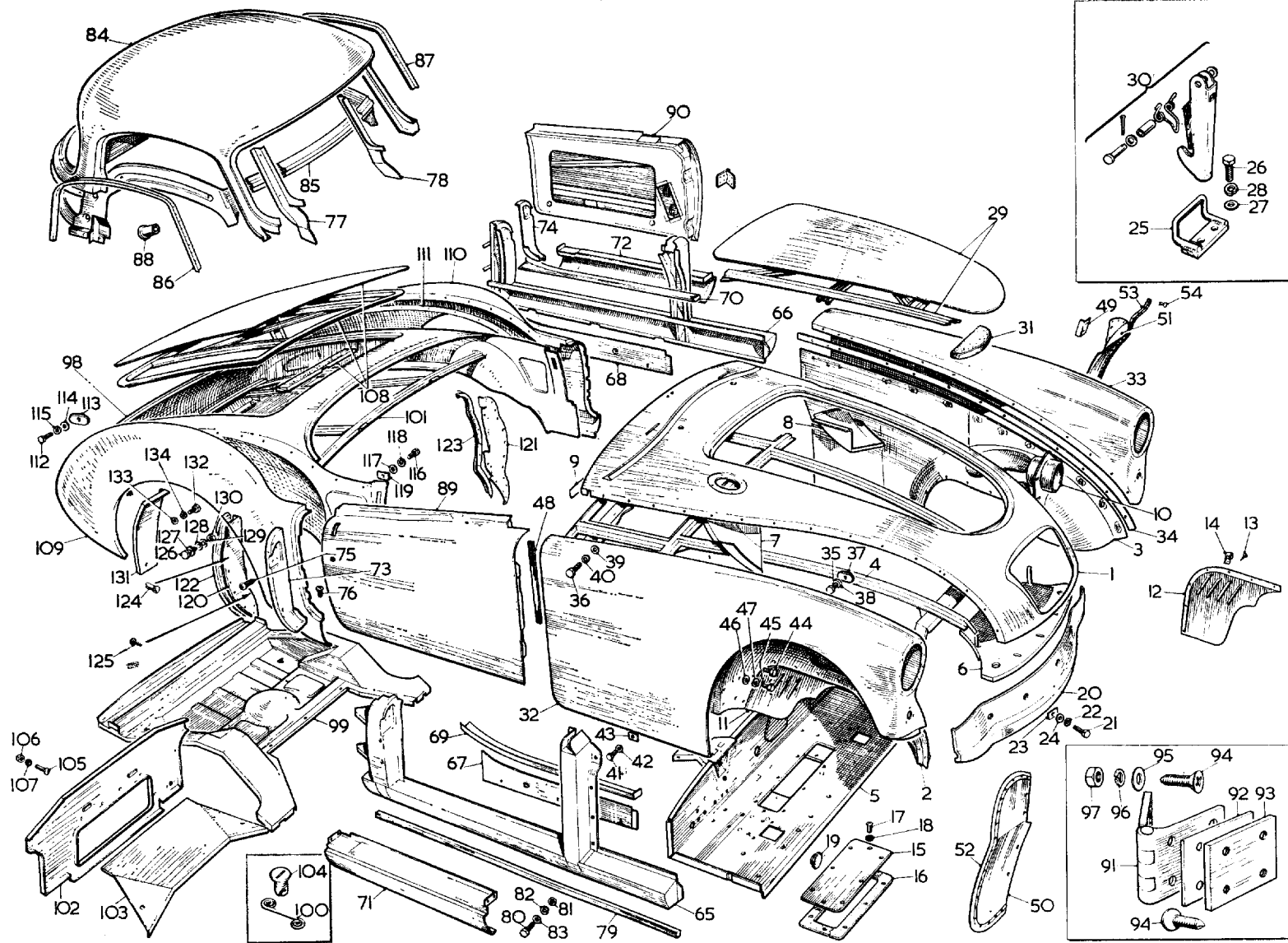
Item No.	DESCRIPTION	Commencing (C) 501		Qty. per Vehicle		Unit of Issue	Type of Vehicle	MODIFICATIONS			REMARKS
		Part Number	Illus. No.	RHD	LHD			New Part Number	Change Point	Amdt. No.	
	<b>BODY SHELL</b>										
1	Shell—body	AFH6582		1	1						
2	Front end assembly	AFH4891		1	1			AFH5833	Com. (C) 592		
3	Panel—bonnet surround	AFH1520	R1	1	1						
4	Front side assembly—R.H.	AFH5796	R2	1	1			AFH5836	] Com. (C) 592		
5	Front side assembly—L.H.	AFH5797	R3	1	1			AFH5837			
6	Bonnet surround reinforcement	AFH1521	R4	1	1						
7	Panel assembly—front bulkhead	AFH5472	R5	1	1						
8	Panel—radiator duct	AFH4893	R6	1	1						
9	Box assembly—R.H. air duct	AFH1502	R7	1	1						
10	Box assembly—L.H. air duct	AFH1503	R8	1	1						
11	Strip—front bulkhead packing	AFH1794	R9	1	1						
12	Tube—air duct	AFH5792	R10	2	2						
13	Panel—front wheel arch detachable—R.H.		R11	1	1			AFH5844	] Com. (C) 592		
14	Panel—front wheel arch detachable—L.H.		R12	1	1			AFH5845			
15	Screw fixing panel		R13	14	14			PJZ1003			
16	Nut for screw		R14	14	14			PFS310			
17	Cover-plate—heater aperture	AHH5252	R15	1	1						
18	Gasket—heater sealing	AHH5253	R16	2	2						
19	Screw fixing cover-plate	PPZ0310	R17	8	8						
20	Washer for screw (spring)	LWZ203	R18	8	8						
21	Grommet—blanking valve control	4G2541	R19	1	1						
22	Panel—front valance	AFH1896	R20	1	1						
23	Screw fixing panel	AFH2587	R21	14	14		Tourer				
24	Washer for screw (spring)	LWZ203	R22	14	14						
25	Washer plate—valance to body	AFH2546	R23	6	6						
26	Washer for screw (plain)	PWZ203	R24	8	8						
27	Bracket—bonnet lock safety catch	AFH1767	R25	1	1						
28	Screw fixing bracket	AFH2587	R26	2	2						
29	Washer for screw (plain)	PWZ203	R27	2	2						
30	Washer for screw (spring)	LWZ203	R28	2	2						
31	Panel assembly—bonnet lid	AFH4880	R29	1	1						
32	Safety catch assembly	14A366	R30	1	1						
33	Batten—bonnet lid stiffening	AFH4879	R31	1	1						
34	Wing assembly—front—R.H.	AFH1690	R32	1	1			AFH6614	] Com. (C) 2193		
35	Wing assembly—front—L.H.	AFH1691	R33	1	1			AFH6615			
36	Piping—front wing	AFH1692	R34	2	2						
37	Screw—front wing to body (1")	HPZ0508	R35	21	21						
38	Screw—front wing to body (1 1/4")	HPZ0510	R36	5	5						
39	Washer plate—front wing fixing	AFH2627	R37	22	22						
40	Washer for screw—small (plain)	PWZ105	R38	2	2						
41	Washer for screw—large (plain)	PWZ205	R39	2	2						
42	Washer for screw (spring)	LWZ205	R40	26	26	24					
43	Screw—front wing to sill	AFH2587	R41	6	6						
44	Washer for screw (spring)	LWZ203	R42	6	6						
45	Washer plate—wing lower fixing	AFH2546	R43	6	6						

Item No.	DESCRIPTION	Commencing (C) 501		Qty. per Vehicle		Unit of Issue	Type of Vehicle	MODIFICATIONS			REMARKS
		Part Number	Illus. No.	RHD	LHD			New Part Number	Change Point	Amdt. No.	
	<b>Body Shell—continued</b>										
1	Screw—wing closing plate to body	HPZ0408	R44	2	2						
2	Screw—wing closing plate to body	HPZ0406	R45	6	6						
3	Washer for screw (plain)	PWZ204	R46	8	8						
4	Washer for screw (spring)	LWZ204	R47	8	8	12					
5	Packing—front wing	AFH3840	R48	2	2						
6	Bracket assembly—front wing splash plate	AFH1700	R49	2	2						
7	Splash plate—R.H. front wing	AFH1702	R50	1	1						
8	Splash plate—L.H. front wing	AFH1703	R51	1	1						
9	Seal—R.H. front splash plate (rubber)	AFH1710	R52	1	1						
10	Seal—L.H. front splash plate (rubber)	AFH1711	R53	1	1						
11	Rivet—seal to plate	BRP906	R54	34	34						
12	Screw—splash plate to body	HPZ0405		12	12						
13	Washer for screw (plain)	PWZ204		12	12						
14	Washer for screw (spring)	LWZ204		12	12	12					
15	Screw fixing front splash plate	HZS0405		4	4						
16	Washer for screw (plain)	PWZ204		4	4						
17	Washer for screw (spring)	LWZ204		4	4	12					
18	Washer plate—splash plate to wing	AFH2546		2	2						
19	Screw—splash plate to wing	AFH2587		2	2						
20	Nut for screw	FNZ103		2	2						
21	Washer for nut (spring)	LWZ203		2	2						
22	Sill reinforcement and pillar assembly—R.H.	AFH1620	R65	1	1						
23	Sill reinforcement and pillar assembly—L.H.	AFH1621	R66	1	1		Tourer				
24	Panel—sill inner—R.H.	AFH1656	R67	1	1						
25	Panel—sill inner—L.H.	AFH1657	R68	1	1						
26	Plate—sill sealing—R.H.	AFH1658	R69	1	1						
27	Plate—sill sealing—L.H.	AFH1659	R70	1	1						
28	Panel—sill outer—R.H.	AFH2624	R71	1	1						
29	Panel—sill outer—L.H.	AFH2625	R72	1	1						
30	Pillar top extension—R.H. door hinge	AFH1624	R73	1	1						
31	Pillar top extension—L.H. door hinge	AFH1625	R74	1	1						
32	Backing plate—R.H. hinge pillar extension	AFH1626	R75	1	1						
33	Backing plate—L.H. hinge pillar extension	AFH1627	R76	1	1						
34	Panel—shut pillar facing—R.H.	AFH898	R77	1	1						
35	Panel—shut pillar facing—L.H.	AFH899	R78	1	1						
36	Screw fixing facing panel (side)	RPZ0310	R79	6	6						
37	Screw fixing facing panel (bottom)	RTZ804	R80	4	4						
38	Screw fixing facing panel (top)	CTZ804	R81	4	4						
39	Finisher—sill lower	AFH3752	R82	2	2						
40	Bolt fixing sill finisher (special)	AFH3753	R83	10	10						
41	Nut for bolt	FNZ103	R84	10	10						
42	Lock washer for nut	LWZ403	R85	10	10						
43	Washer for nut (plain)	PWZ203	R86	10	10						
44	<b>Door assembly—R.H.</b>	<b>AFH1666</b>	<b>R87</b>	<b>1</b>	<b>1</b>						
45	<b>Door assembly—L.H.</b>	<b>AFH1667</b>	<b>R88</b>	<b>1</b>	<b>1</b>						
46	Stiffener—door casing	AFH1899	R89	2	2						

**SERVICE PARTS LIST**

**THE M.G. Series MGA TWIN CAM**

Item No.	DESCRIPTION	Commencing (C) 501		Qty. per Vehicle		Unit of Issue	Type of Vehicle	MODIFICATIONS			REMARKS
		Part Number	Illus. No.	RHD	LHD			New Part Number	Change Point	Amdt. No.	
	<b>Body Shell—continued</b>										
1	<b>Hinge—door</b>	<b>AFH5832</b>	<b>R90</b>	<b>4</b>	<b>4</b>						
2	Packing—door hinge	AFH5827	R91	4	4						
3	Plate—tapping	AFH1464	R92	4	4						
4	Screw fixing hinge	CPZ0412	R93	32	32						
5	Washer for screw (plain)	PWZ204	R94	16	16						
6	Washer for screw (spring)	LWZ204	R95	16	16						
7	Nut for screw	FNZ104	R96	16	16						
8	<b>Tonneau assembly</b>	<b>AFH1754</b>		<b>1</b>	<b>1</b>						
9	Tonneau sub-assembly	AFH1870		1	1						
10	Tonneau panel	AFH1871	R97	1	1						
11	Floor assembly—trunk	AFH1874	R98	1	1						
12	Dzus spring	7H9828	R99	2	2						
13	Reinforcement assembly—tonneau	AFH1579	R100	1	1						
14	Panel assembly—rear bulkhead	AFH1585	R101	1	1						
15	Panel assembly—battery cover	AFH1663	R102	1	1						
16	Dzus fastener	7H9827	R103	2	2						
17	Screw fixing rear bulkhead panel	PMZ0308	R104	2	2						
18	Nut for screw	FNZ103	R105	2	2						
19	Washer for nut (spring)	LWZ203	R106	2	2						
20	<b>Lid assembly—trunk</b>	<b>AFH5474</b>	<b>R107</b>	<b>1</b>	<b>1</b>						
21	<b>Wing assembly—rear—R.H.</b>	<b>AFH1768</b>	<b>R108</b>	<b>1</b>	<b>1</b>						
22	<b>Wing assembly—rear—L.H.</b>	<b>AFH1769</b>	<b>R109</b>	<b>1</b>	<b>1</b>						
23	Piping—rear wing	AFH1693	R110	2	2		Tourer				
24	Screw—rear wing to body	HPZ0508	R111	22	22						
25	Washer plate—rear wing fixing	AFH2627	R112	20	20						
26	Washer for screw (plain)	PWZ205	R113	2	2						
27	Washer for screw (spring)	LWZ205	R114	22	22	24					
28	Screw—rear wing to sill	AFH2587	R115	4	4						
29	Washer for screw (plain)	PWZ203	R116	4	4						
30	Washer for screw (spring)	LWZ203	R117	4	4						
31	Washer plate—wing lower fixing	AFH2546	R118	4	4						
32	Splash plate—rear wing R.H. front	AFH4782	R119	1	1						
33	Splash plate—rear wing L.H. front	AFH4783		1	1						
34	Seal—splash plate R.H. (rubber)	AFH4784	R120	1	1						
35	Seal—splash plate L.H. (rubber)	AFH4785		1	1						
36	Rivet—seal to plate	BRP906	R121	22	22						
37	Screw—lower plate fixing	PTZ604	R122	4	4						
38	Screw—plate to body	HZS0405	R123	4	4						
39	Washer for screw (plain)	PWZ204	R124	4	4						
40	Washer for screw (plain)	PWZ104	R125	4	4	12					
41	Washer for screw (spring)	LWZ204	R126	4	4	12					
42	Nut for screw	FNZ104	R127	4	4						
43	Splash plate assembly—rear wing R.H. rear	AFH1704	R128	1	1						
44	Splash plate assembly—rear wing L.H. rear	AFH1705		1	1						
45	Screw fixing rear splash plate	HZS0405	R129	8	8						
46	Washer for screw (plain)	PWZ204	R130	8	8						
47	Washer for screw (spring)	LWZ204	R131	8	8	12					



A3061

