

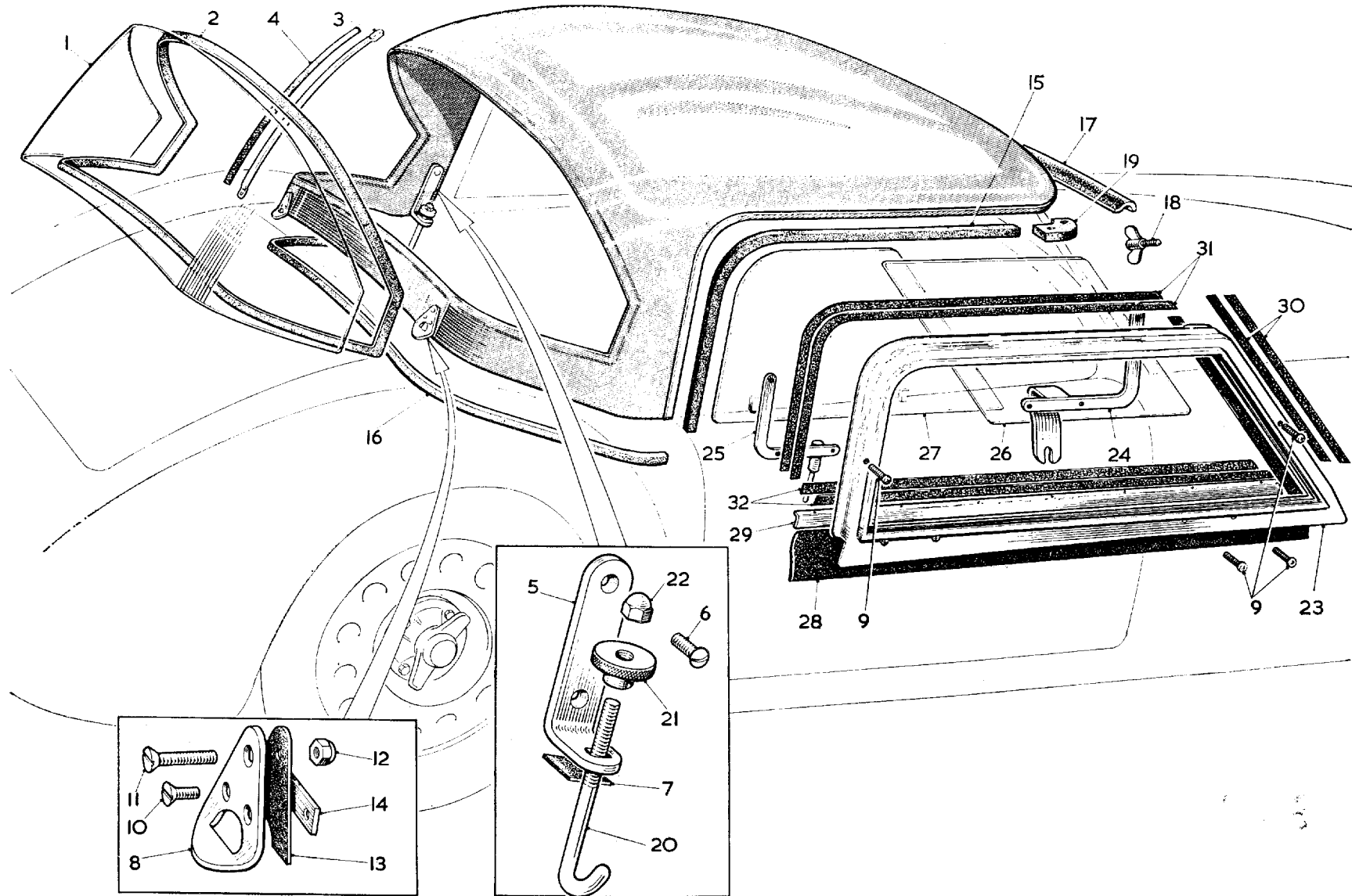
A3123



**SERVICE PARTS LIST**

**THE M.G. Series MGA TWIN CAM**

Item No.	DESCRIPTION	Commencing (C) 501		Qty. per Vehicle		Unit of Issue	Type of Vehicle	MODIFICATIONS			REMARKS
		Part Number	Illus. No.	RHD	LHD			New Part Number	Change Point	Amdt. No.	
	<b>TONNEAU COVER</b> <b>(Optional Extra)</b>										
1	Tonneau cover assembly (Black)	<b>AKE1756</b>	<b>RQ20</b>	1							
2	Tonneau cover assembly (Ice Blue)	AKE1757		1							
3	Tonneau cover assembly (Black)	<b>AKE1758</b>			1				Fin. (C) 993		
4	Tonneau cover assembly (Ice Blue)	AKE1759			1						
5	Zip fastener	AFH2687	<b>RQ21</b>	1	1						
6	Tonneau cover assembly (Black)			1				AFH6572			
7	Tonneau cover assembly (Ice Blue)			1				AFH6574	Com. (C) 994		
8	Tonneau cover assembly (Black)				1			AFH6571			
9	Tonneau cover assembly (Ice Blue)				1			AFH6573			
10	Tonneau cover assembly (Grey)			1				AHH5975			
11	Tonneau cover assembly (Beige)			1				AHH5971			
12	Tonneau cover assembly (Blue)			1				AHH5973	Com. (C) 2193		
13	Tonneau cover assembly (Grey)				1			AHH5976			
14	Tonneau cover assembly (Beige)				1			AHH5972			
15	Tonneau cover assembly (Blue)				1		Tourer	AHH5974			
16	Zip fastener			1	1			AFH6608	Com. (C) 994		
17	Lift-the-dot fastener	7H9961	<b>RQ22</b>	20/12	20/12						Quantity reduced at (C) 994
18	Lift-the-dot clinch plate	7H9963	<b>RQ23</b>	20/12	20/12						
19	Eyelet—turn-button fastener	97H498	<b>RQ24</b>	2	2						
20	Washer—turn-button fastener	97H497	<b>RQ25</b>	2	2						
21	Screw base—lift-the-dot	97H499		8/6	8/6						
22	Screw fixing base	RTP603		12	12						
23	Stud—lift-the-dot	97H717		12/6	12/6						Quantity reduced at (C) 994
24	Nut for stud	AJD8012Z		12/6	12/6						
25	Washer for nut	LWZ203		12/6	12/6						
26	Washer for nut	PWZ203		12/6	12/6						
27	Screw for stud	RMP0208		4	4						
28	Washer (plain)	PWZ202		4	4				Fin. (C) 993		
29	Washer (spring)	LWZ202		4	4						
30	Nut for screw	CNZ102		4	4						



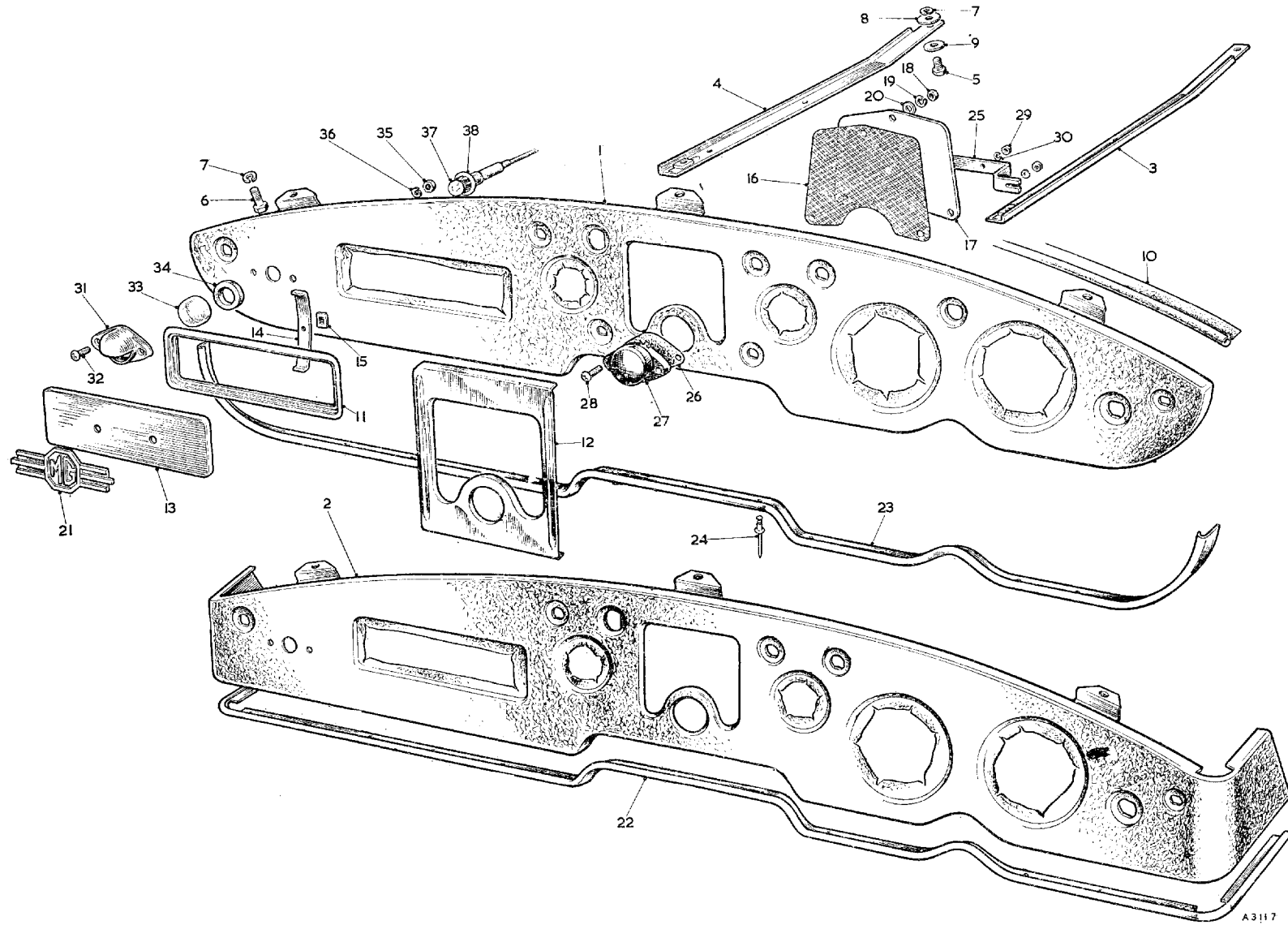
A2988

**SERVICE PARTS LIST**

**THE M.G. Series MGA TWIN CAM**

Item No.	DESCRIPTION	Commencing (C) 501		Qty. per Vehicle		Unit of Issue	Type of Vehicle	MODIFICATIONS			REMARKS
		Part Number	Illus. No.	RHD	LHD			New Part Number	Change Point	Amdt. No.	
	<b>HARD TOP (Optional Extra)</b>										
1	Hard top assembly	AHH5562		1	1		Tourer				
2	Window—rear	AHH5660	RR1	1	1						
3	Rubber for rear window—sealing	AHH5661	RR2	1	1						
4	Strut—rear window (inner)	AHH5662	RR3	2	2						
5	Rubber for inner strut	AHH5663	RR4	2	2						
6	Bracket—side (main)	AHH5664	RR5	2	2						
7	Screw fixing main bracket to canopy	AJD2446C	RR6	4	4						
8	Rubber for side bracket	AHH5665	RR7	2	2						
9	Bracket—retaining (rear)	AHH5666	RR8	2	2						
10	Screw—bracket to canopy	RMP0307	RR10	4	4						
11	Screw—rear bracket to inner strut	AJD2448C	RR11	2	2						
12	Cap nut for bracket to inner strut screw	AJJ3125	RR12	2	2						
13	Grommet for retaining bracket	AHH5667	RR13	2	2						
14	Plate—backing—retaining bracket	AHH5674	RR14	2	2						
15	Rubber—sealing (side)	AHH5668	RR15	2	2						
16	Rubber—sealing (rear)	AHH5673	RR16	1	1						
17	Rubber—sealing—canopy	AHH5669	RR17	1	1						
18	Screw—thumb—canopy retaining	AHH5670	RR18	2	2						
19	Canopy rail end—R.H. (rubber)	AHH5671	RR19	1	1						
20	Canopy rail end—L.H. (rubber)	AHH5672		1	1						
21	Clip assembly—main retaining (side)	AHH5650	RR20	2	2						
22	Knob	AHH5652	RR21	1	1						
23	Cap nut	AHH5653	RR22	1	1						
	<b>SLIDING SIDESCREEN</b>										
24	Sidescreen assembly—sliding—R.H.	AHH5731		1	1						
25	Sidescreen assembly—sliding—L.H.	AHH5732		1	1						
26	Frame—R.H.	AHH5733	RR23	1	1						
27	Frame—L.H.	AHH5734		1	1						
28	Bracket—front securing—R.H.	AHH5735	RR24	1	1						
29	Bracket—front securing—L.H.	AHH5736		1	1						
30	Bracket—peg—R.H.	AHH5737	RR25	1	1						
31	Bracket—peg—L.H.	AHH5738		1	1						
32	Screw fixing bracket	PMP0310	RR9	12	12						
33	Screen—fixed	AHH5739	RR26	2	2						
34	Screen—sliding—R.H.	AHH5740	RR27	1	1						
35	Screen—sliding—L.H.	AHH5741		1	1						
36	Rubber—sealing—R.H.	AHH5808	RR28	1	1						
37	Rubber—sealing—L.H.	AHH5742		1	1						
38	Retainer—sealing rubber—R.H.	AHH5743	RR29	1	1						
39	Retainer—sealing rubber—L.H.	AHH5744		1	1						
40	Felt—glazing (front)	AHH5745	RR30	2	2						
41	Felt—glazing (upper)	AHH5746	RR31	2	2						
42	Felt—glazing (lower)	AHH5747	RR32	2	2						

For use with Hard top assembly only



A3117

