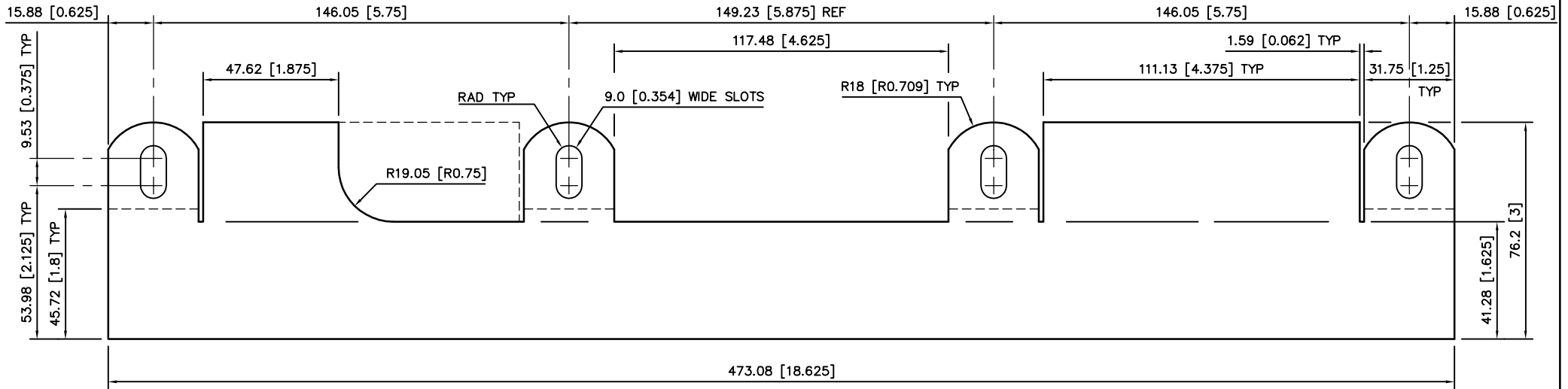


DATE	ISSUE	IF IN DOUBT ASK
18.10.06	1	

THIRD ANGLE PROJECTION

DO NOT SCALE



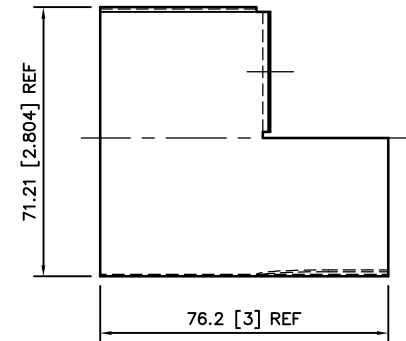
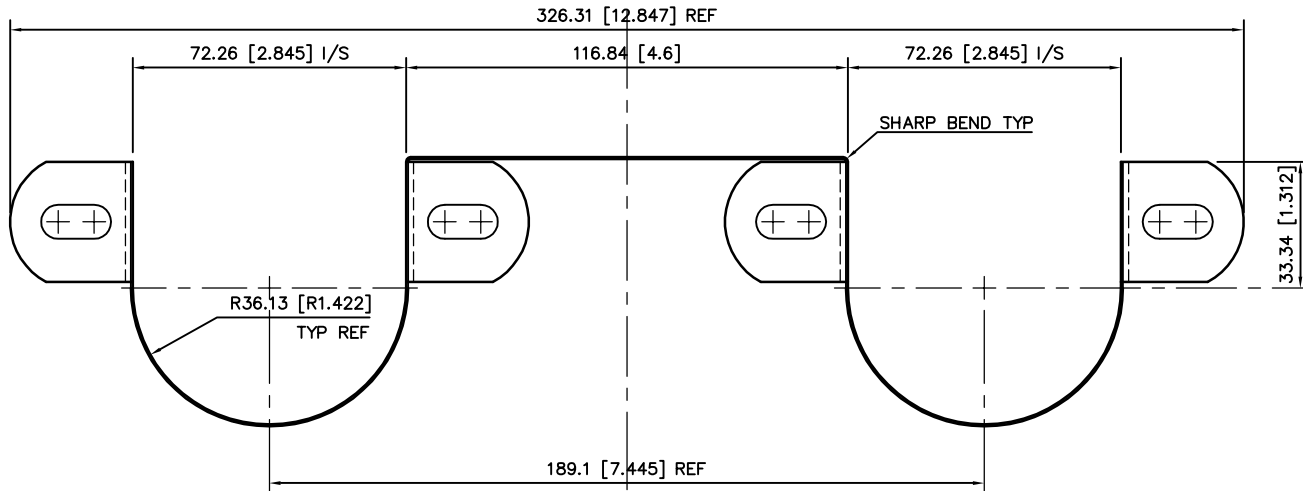
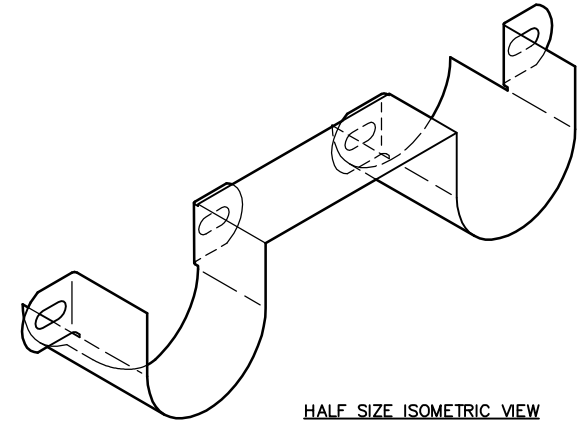
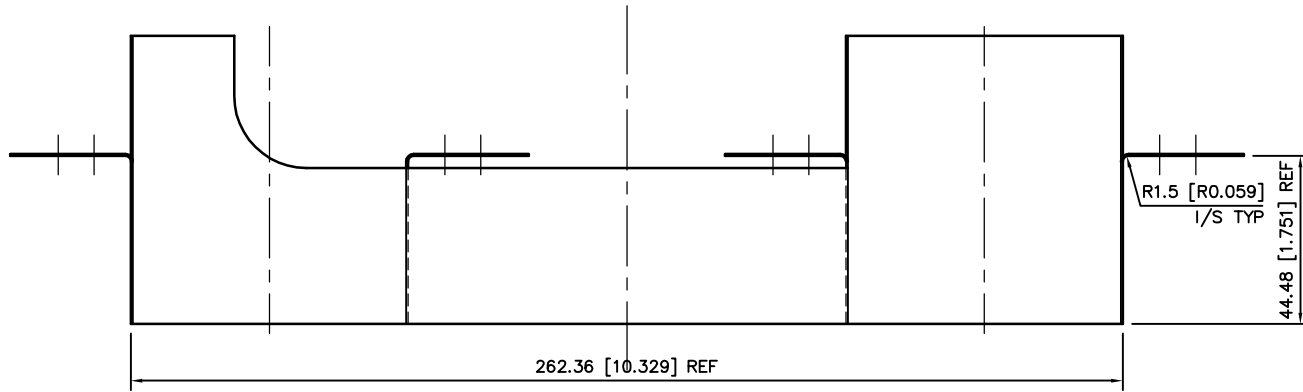
HALF SIZE PRINT

ALL DIMENSIONS IN mm ENGLISH EQUIVALENTS IN PARENTHESES		USE THE FOLLOWING GENERAL LIMITS UNLESS OTHERWISE STATED			DRG NO
SURFACE FINISH TURNING 1.6 μm (63 μin) MILLING 3.2 μm (125 μin)	MACHINING TOL. GENERAL TOL ± 0.25 (0.01in) ANGULAR TOL ± 0.25°	POSITIONAL TOL. HOLES 0.25 (0.01in) DIAMETER	SCALE 1:1	DRAWN PNT	CAD FILE NO -
MATL 22/20 SWG S/S SHT	SURFACE TREATMENT -	TITLE INTAKE HEAT SHIELD DEVELOPMENT			P.001
					SHEET 1 OF 2

DATE	ISSUE	IF IN DOUBT ASK
18.10.06	1	

THIRD ANGLE PROJECTION

DO NOT SCALE



HALF SIZE PRINT

ALL DIMENSIONS IN mm ENGLISH EQUIVALENTS IN PARENTHESES		USE THE FOLLOWING GENERAL LIMITS UNLESS OTHERWISE STATED			DRG NO
SURFACE FINISH TURNING 1.6 μm (63 μin) MILLING 3.2 μm (125 μin)	MACHINING TOL. GENERAL TOL ± 0.25 (0.01in) ANGULAR TOL ± 0.25°	POSITIONAL TOL. HOLES 0.25 (0.01in) DIAMETER	SCALE 1:1	DRAWN PNT	CAD FILE NO -
MATL. 22/20 SWG S/S SHT	SURFACE TREATMENT -	TITLE INTAKE HEAT SHIELD MGA			DRG NO P.002
					SHEET 2 OF 2