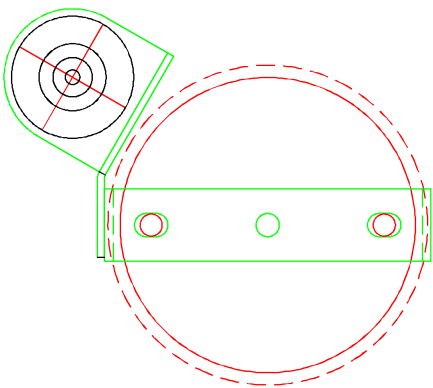
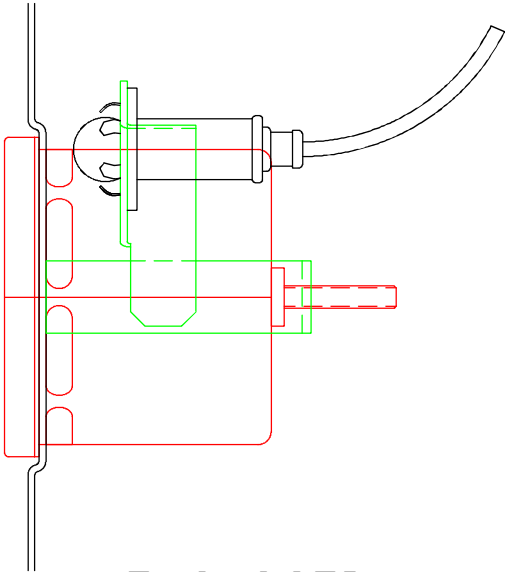
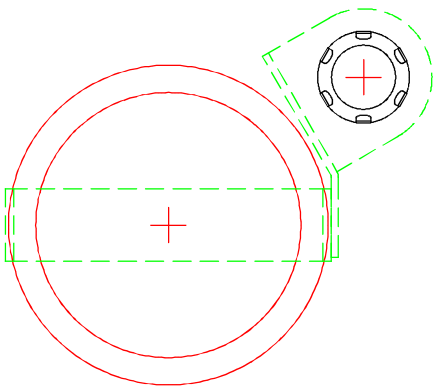
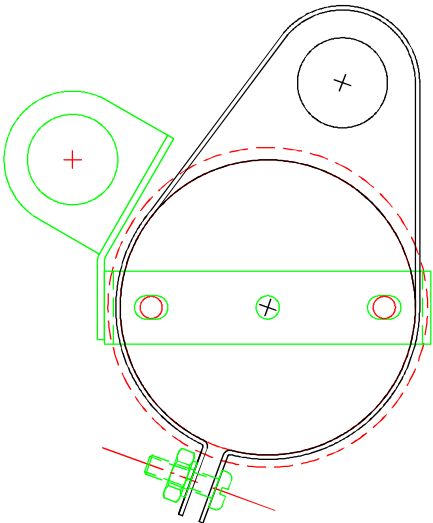
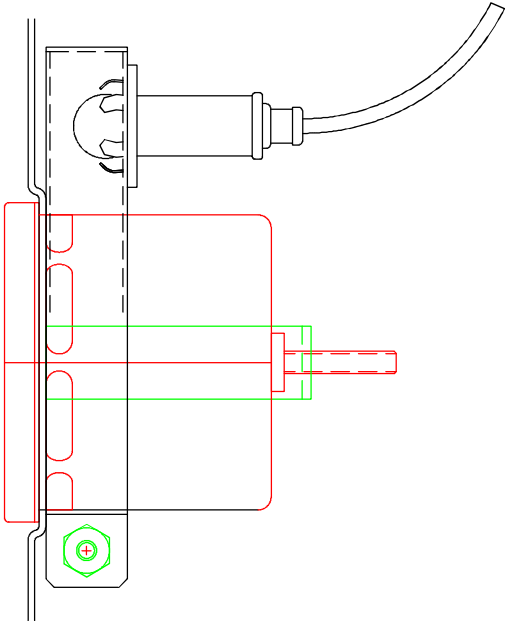
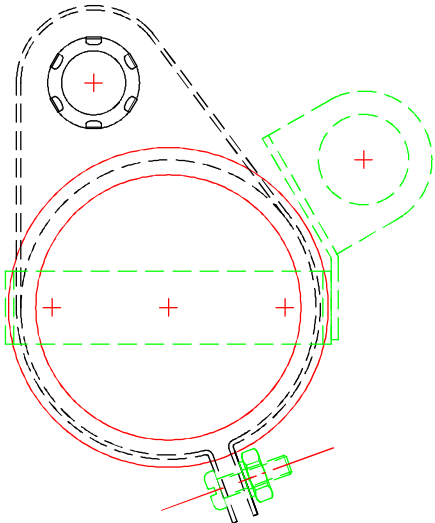
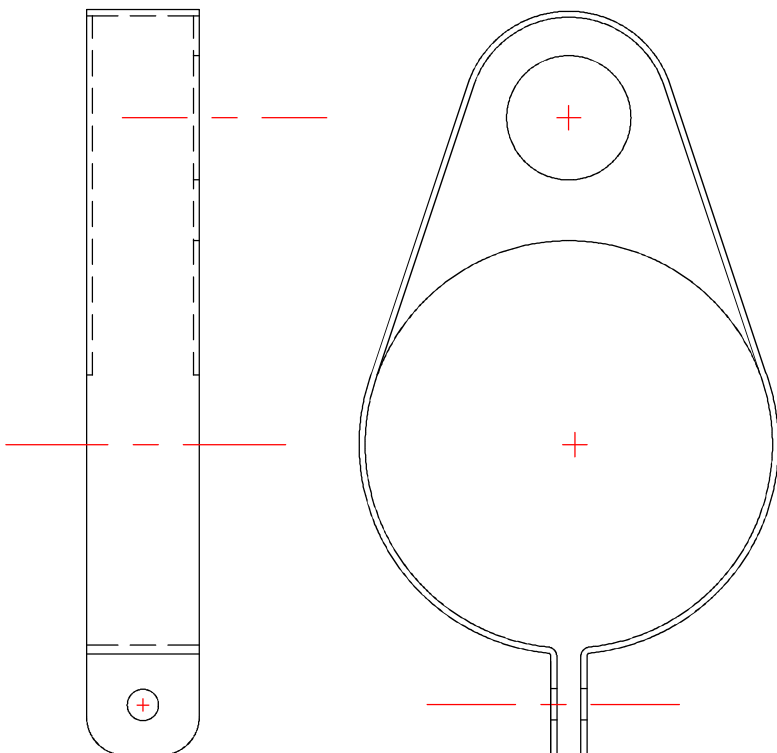
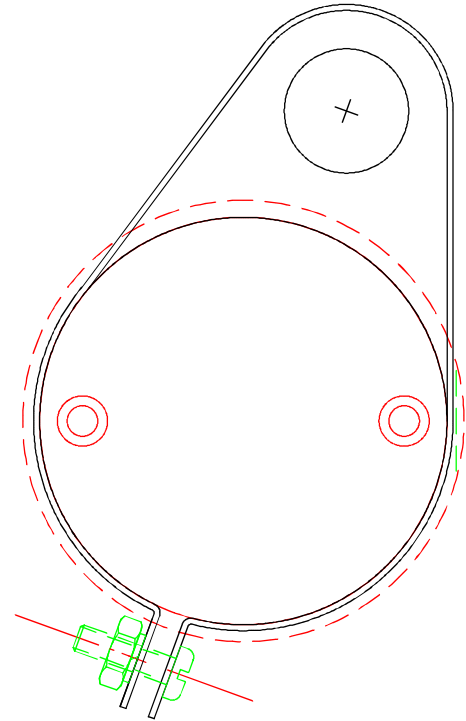
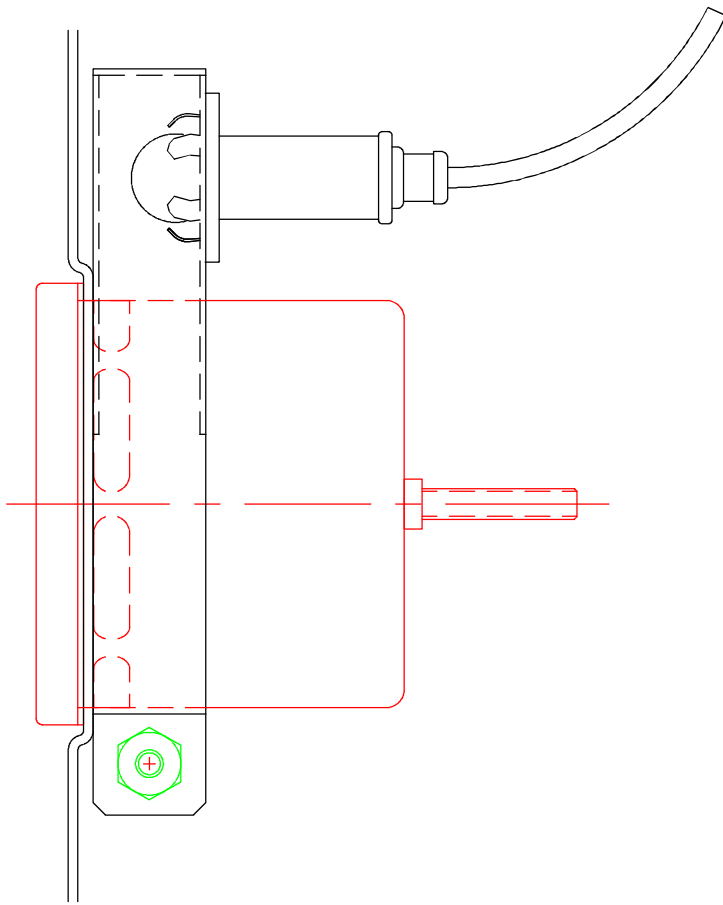


ORIGINAL
LAMP HOLDER



ENCLOSED
BULB SHIELD





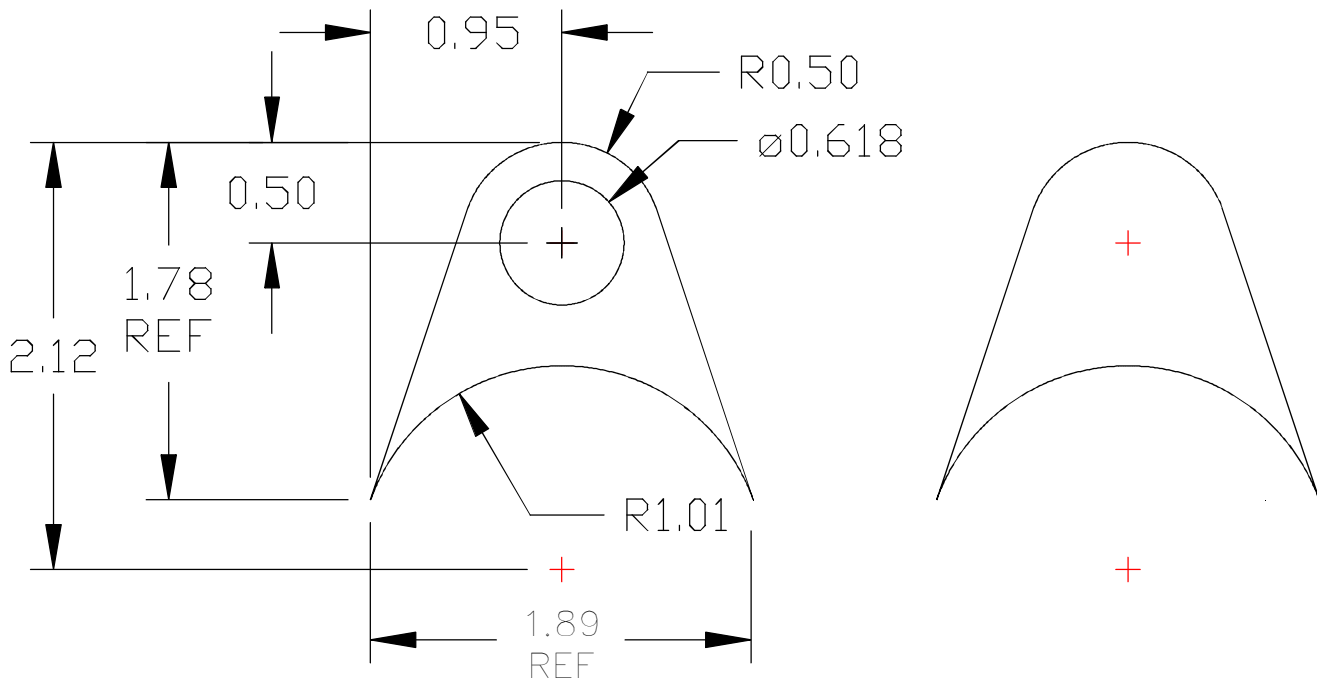
SMALL INSTRUMENT LIGHT SHIELD

MATERIAL: 18-GA (0.048-IN) CRS
SOLDERED ASSEMBLY
FINISH: ZINC PLATE

FASTENERS:

SCREW, PAN HEAD #6-32 X 1/2
LOCKWASHER, #6
HEX NUT, #6-32

BULB HOLDER IS
PART OF WIRING HARNESS



ONE PLATE WITH HOLE
 ONE PLATE WITHOUT HOLE
 MAT'L: 18 GA (0.048) C.R.S.

